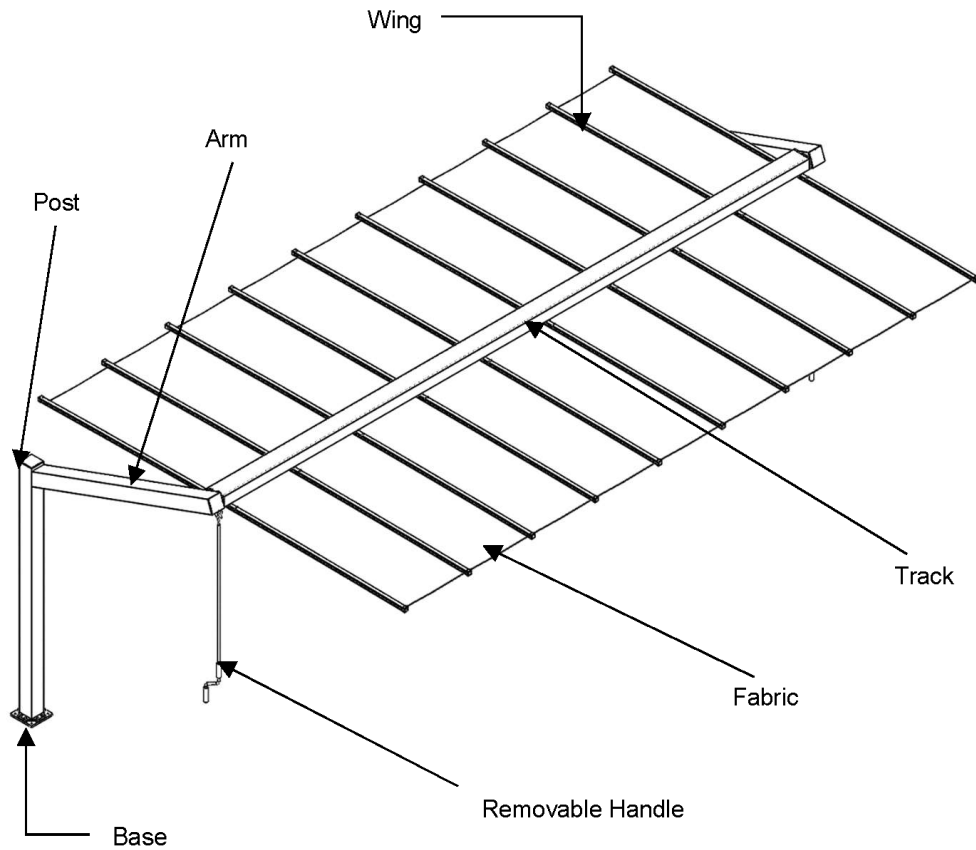


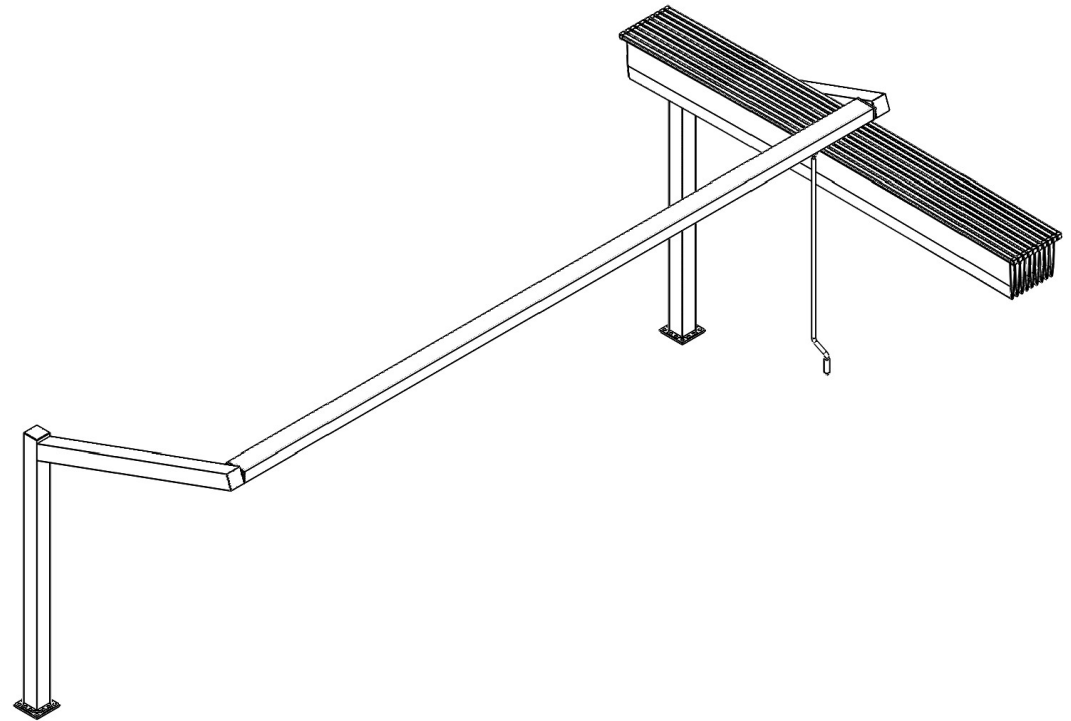


Technical Information Package
Freestanding Retractable Canopy

FREESTANDING RETRACTABLE CANOPY



Extended Canopy

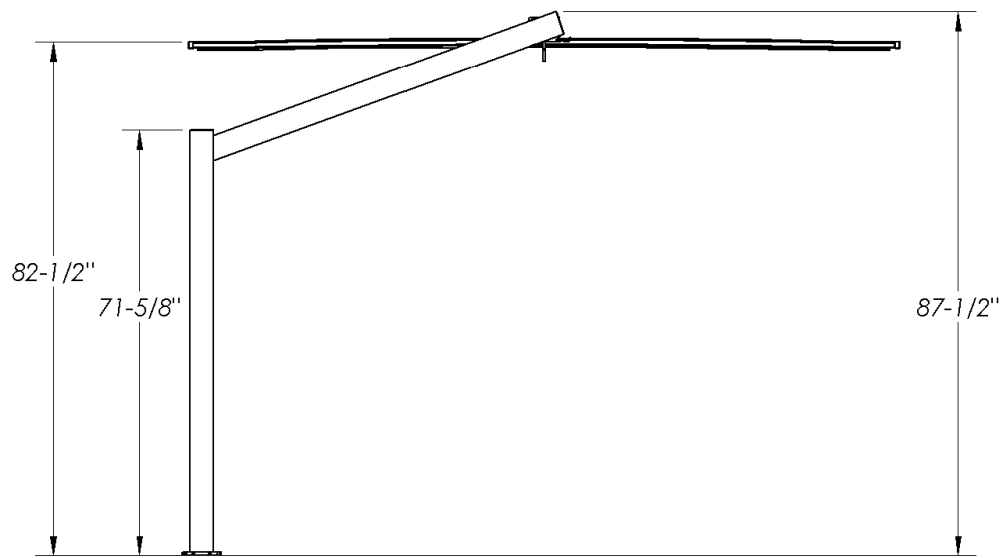


Retracted Canopy

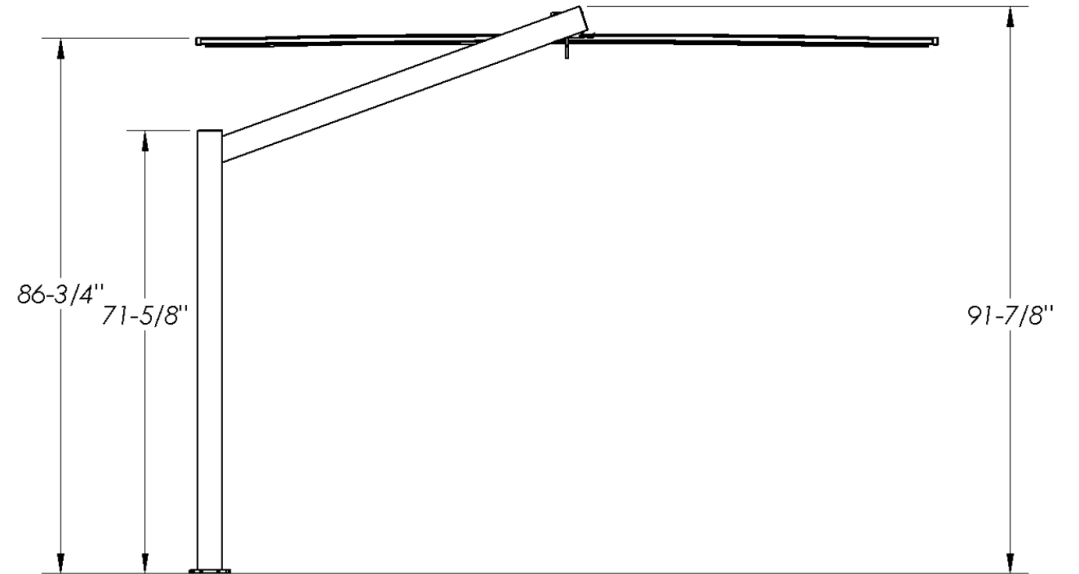


FREESTANDING RETRACTABLE CANOPY

FLAT DEPLOYMENT



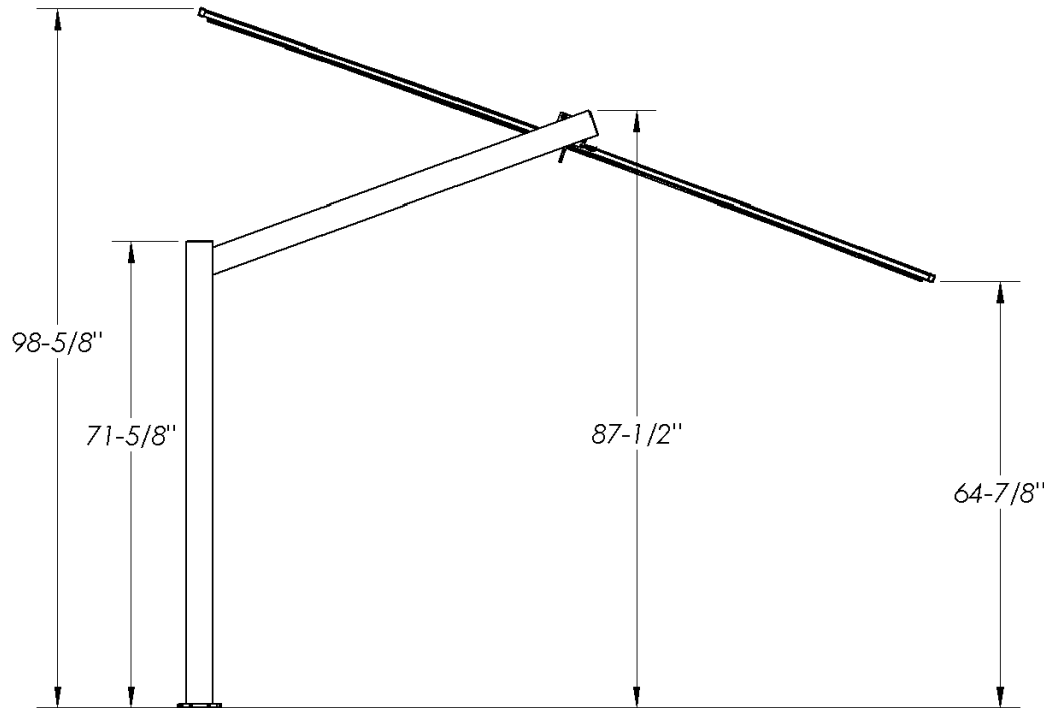
8' Wing Width



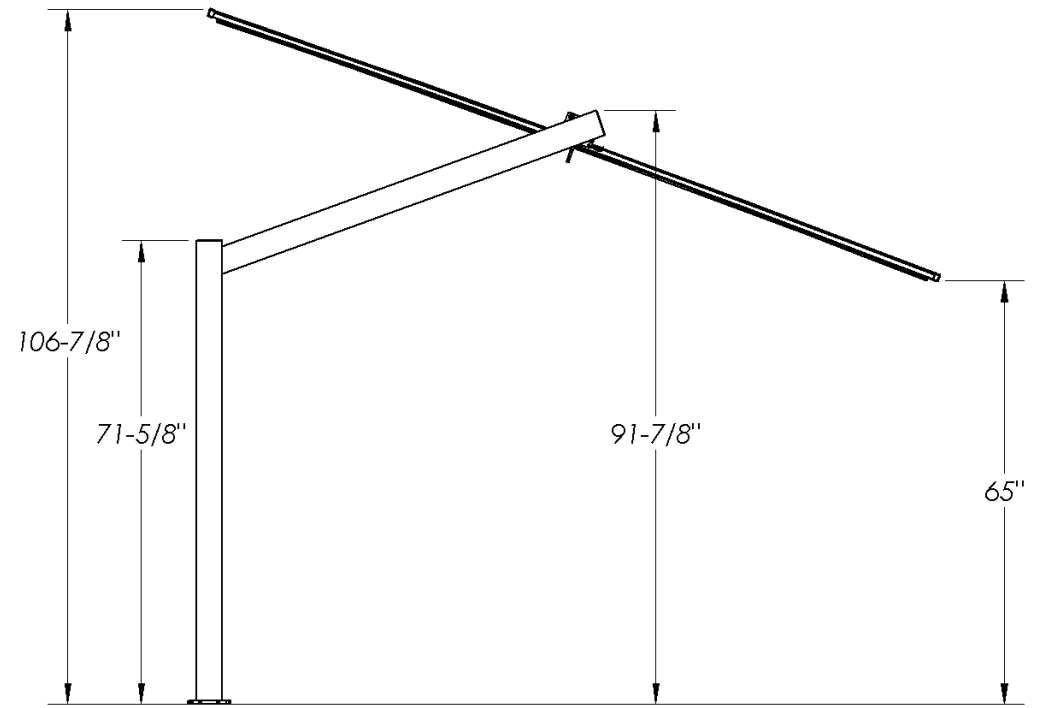
10' Wing Width



FREESTANDING RETRACTABLE CANOPY TILTED DEPLOYMENT



8' Wing Width

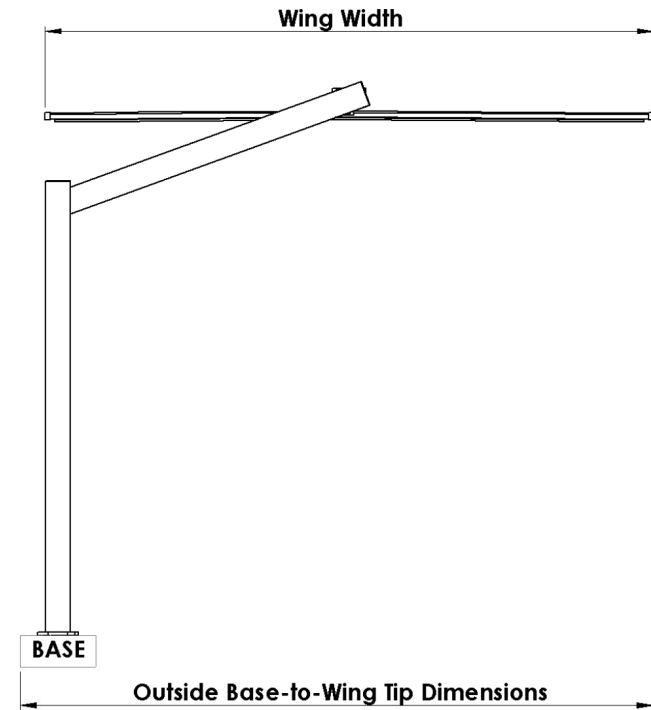
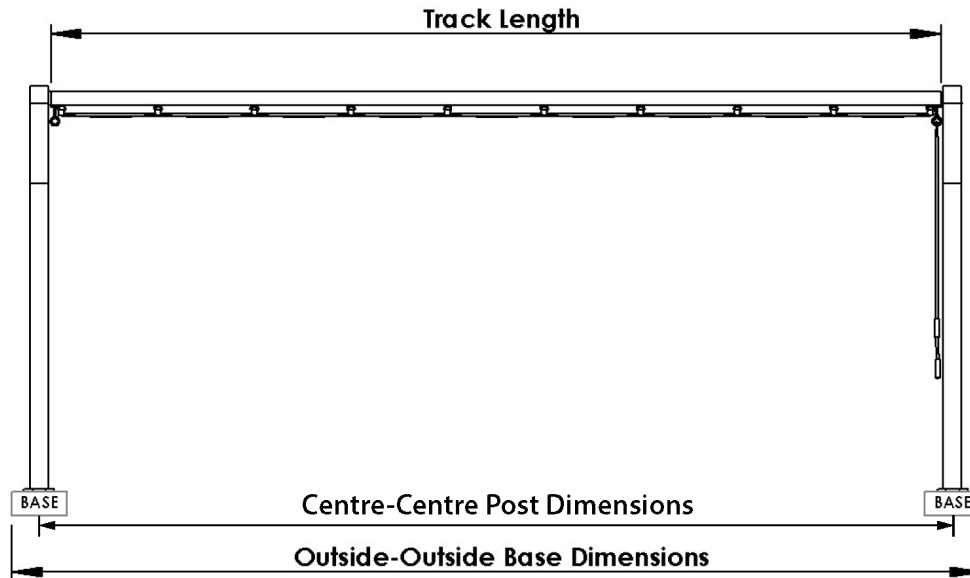


10' Wing Width



FREESTANDING RETRACTABLE CANOPY

DIMENSIONS



**Outside-Outside
Base Dimensions**

**Centre-Centre
Post Dimensions**

| Track Length | Standard Base | Wood Base | Standard/Wood Base |
|--------------|---------------|-----------|--------------------|
| 16' | 203.25" | 206.25" | 196.25" |
| 14' | 179.25" | 182.25" | 172.25" |
| 12' | 155.25" | 158.25" | 148.25" |
| 10' | 131.25" | 134.25" | 124.25" |
| 8' | 107.25" | 110.25" | 100.25" |

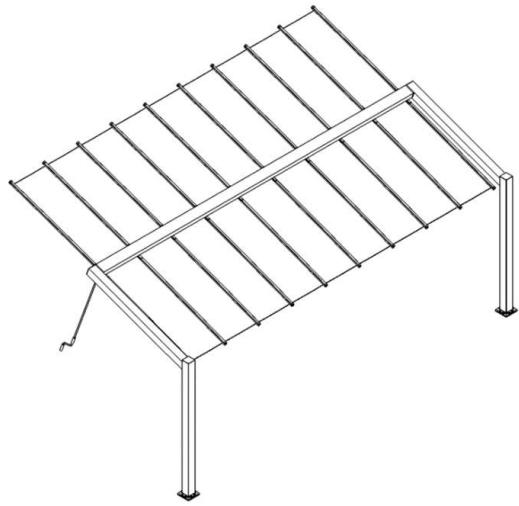
**Outside Base to
Wingtip Dimensions**

| Wing Width | Standard Base | Wood Base |
|------------|---------------|-----------|
| 8' | 97.5" | 99" |
| 10' | 121.5" | 123" |

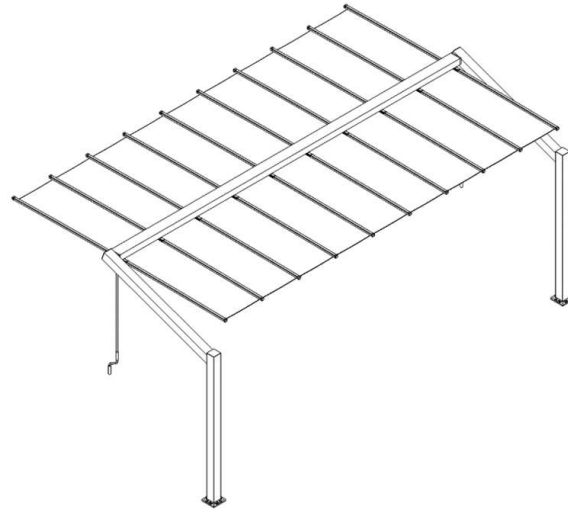


FREESTANDING RETRACTABLE CANOPY

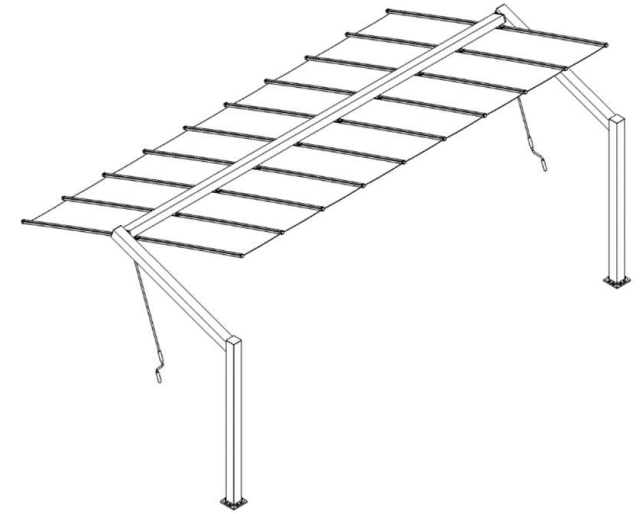
DEPLOYMENT OPTIONS



Tilted Backwards
20° from Horizontal



Flat
Parallel with Ground

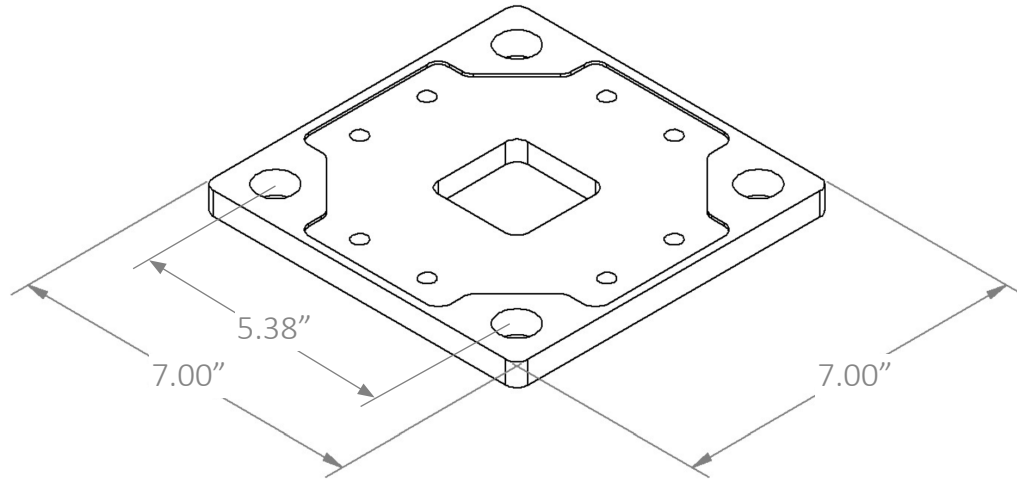


Tilted Forward
20° from Horizontal

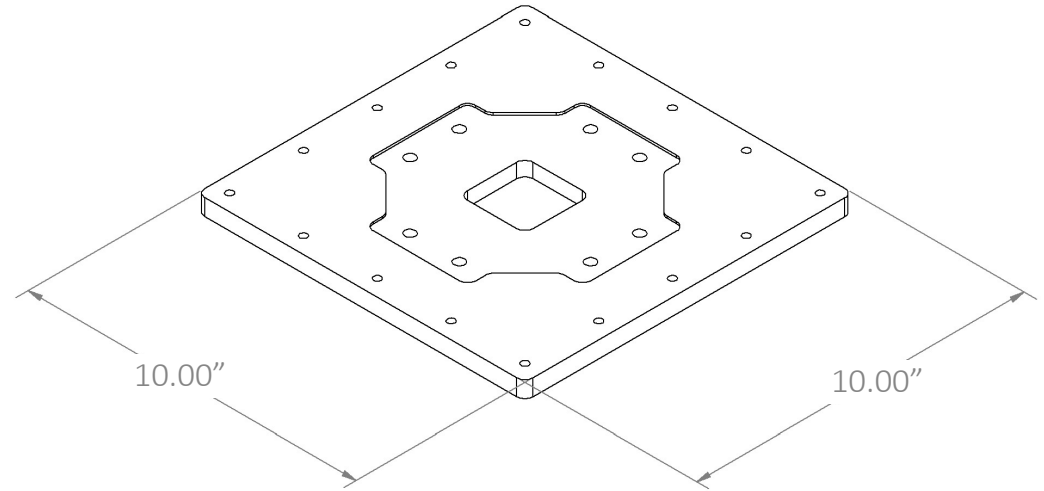


FREESTANDING RETRACTABLE CANOPY

BASE OPTIONS

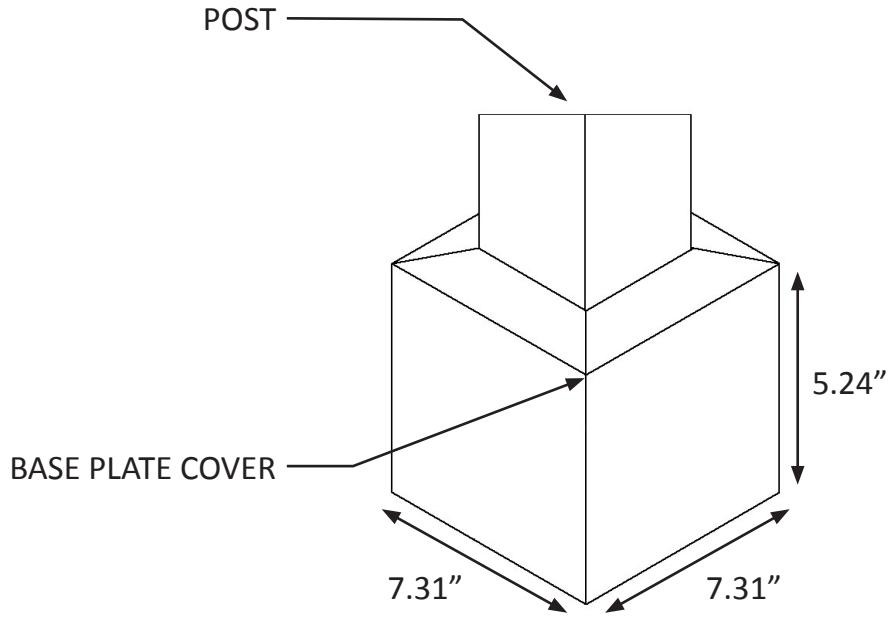


Standard Base

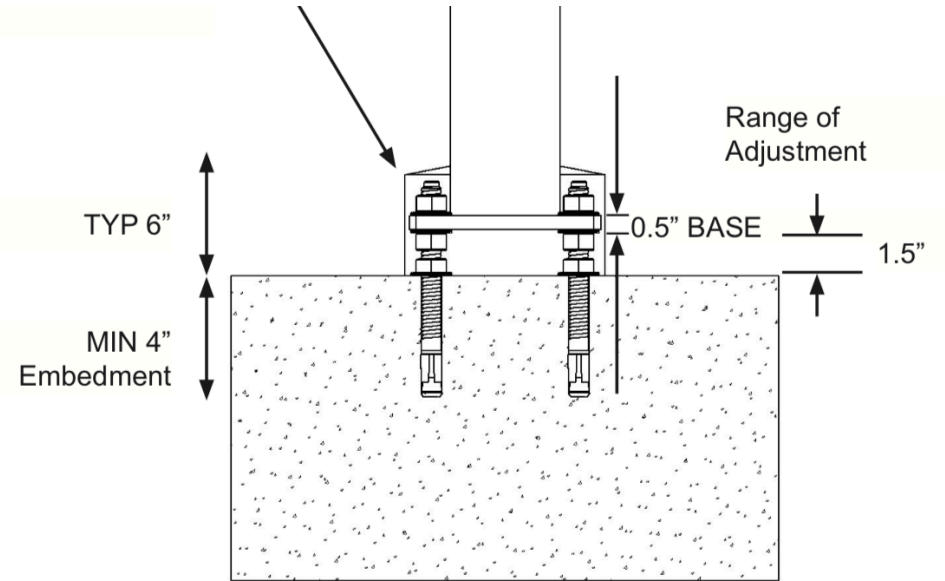
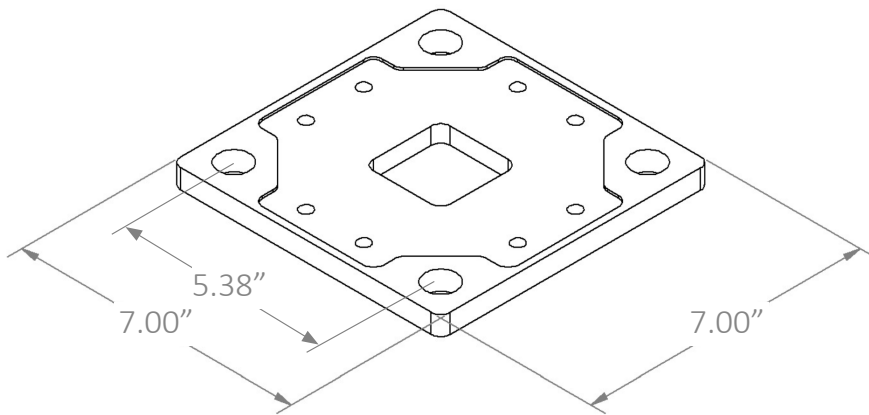


Wood Base

FREESTANDING RETRACTABLE CANOPY TYP CONCRETE ANCHOR



Base Plate



**DETAIL
MOUNT SECTION**

HILTI EXPANDING ANCHORS P/N 378091 TYP
BOTTOM CLEARANCE REQUIRED FOR DRAINAGE

FREESTANDING RETRACTABLE CANOPY TYP DECK ANCHOR

