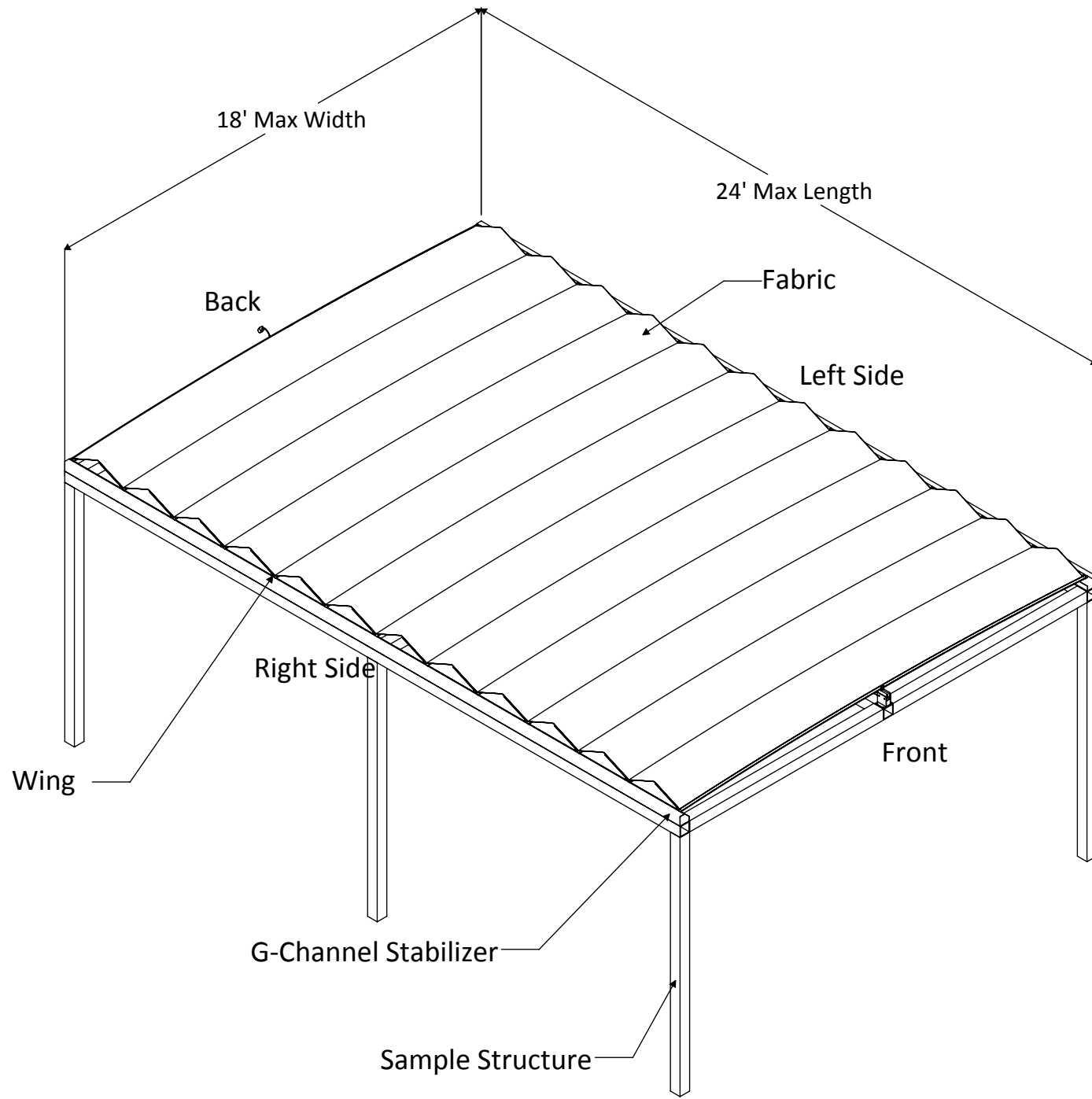


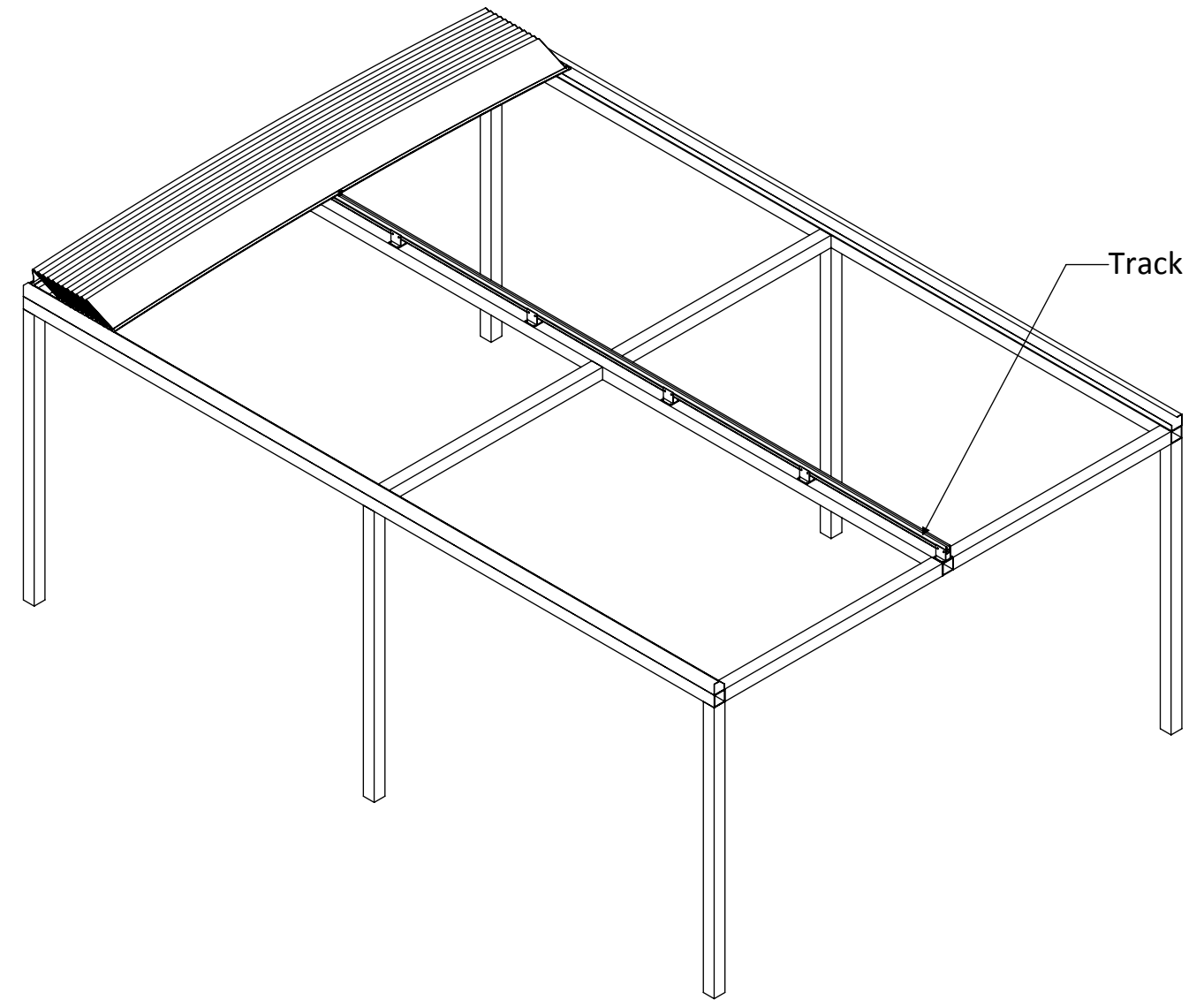


Technical Information Package
Retractable Roof System

MOTOR OPERATED RETRACTABLE ROOF SYSTEM



Roof Extended

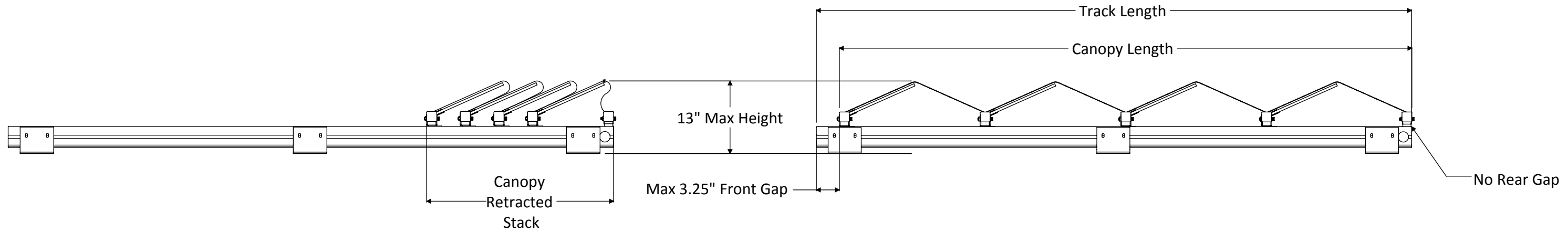


Roof Retracted

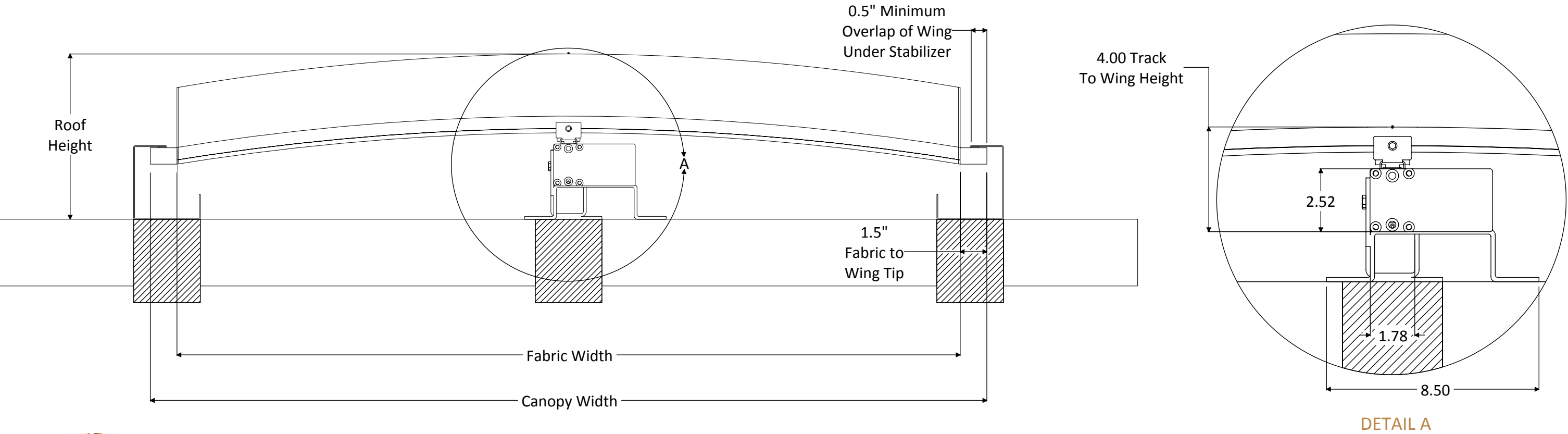


MOTOR OPERATED RETRACTABLE ROOF SYSTEM

Side View

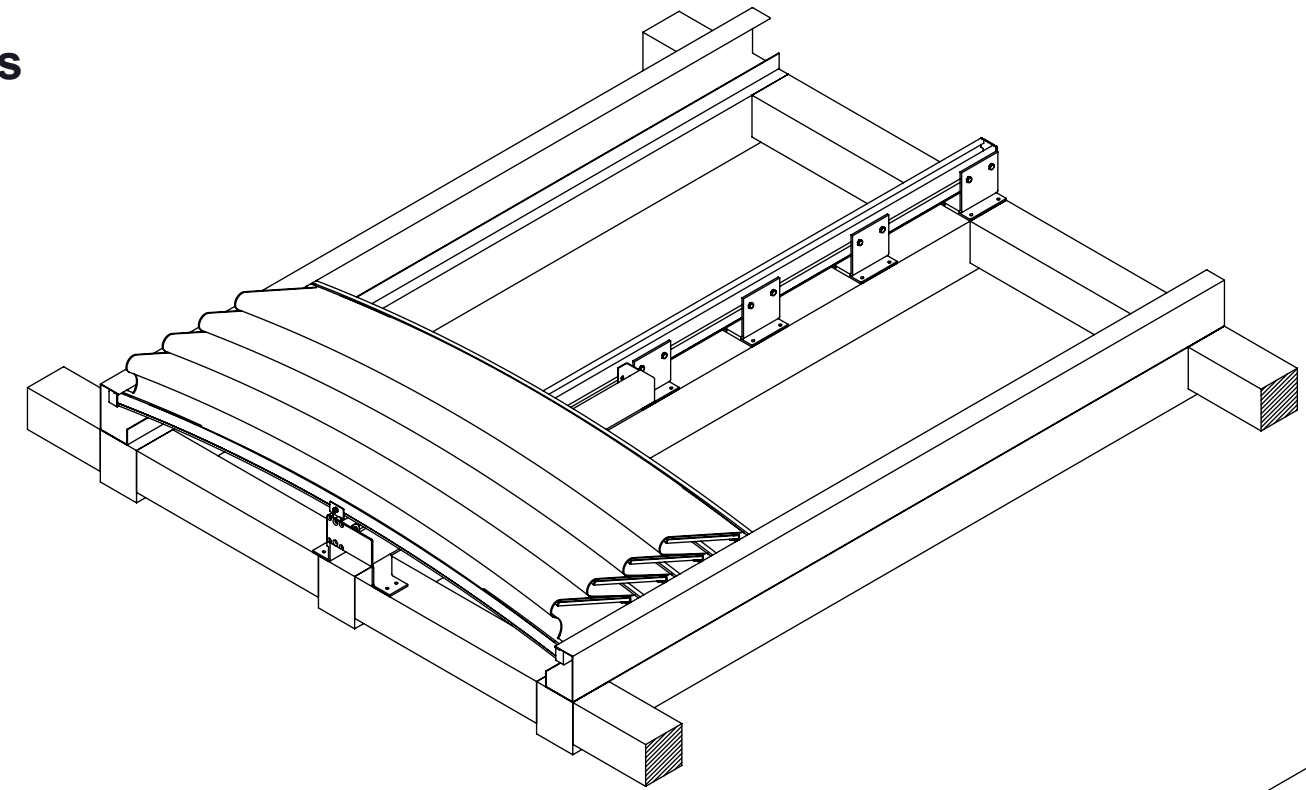
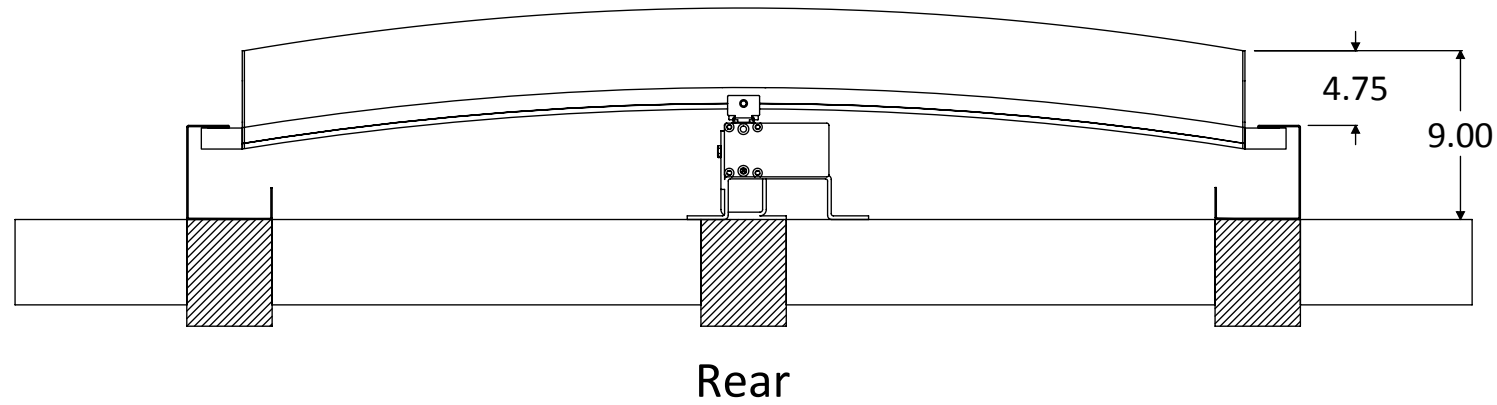


Rear View

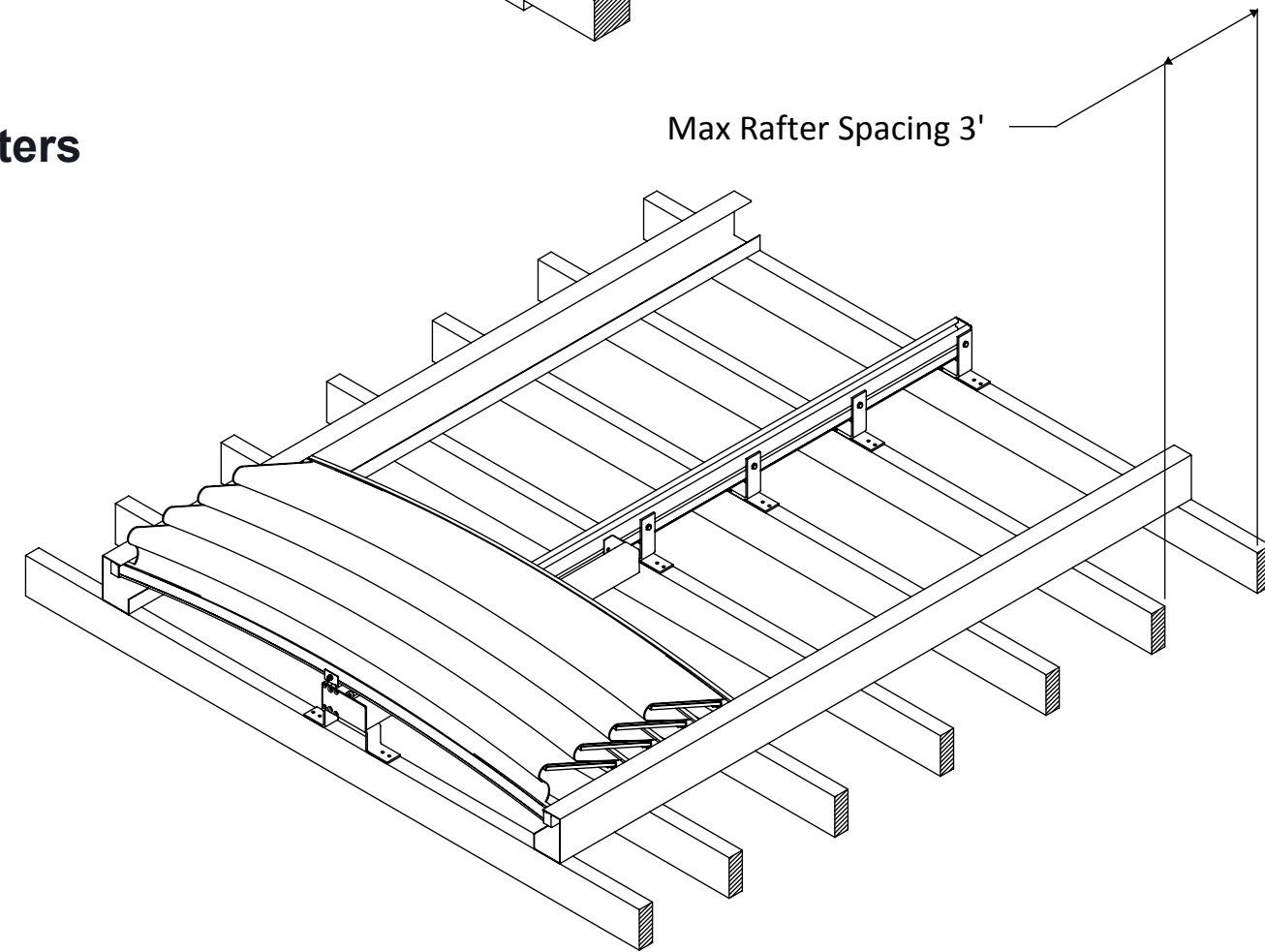
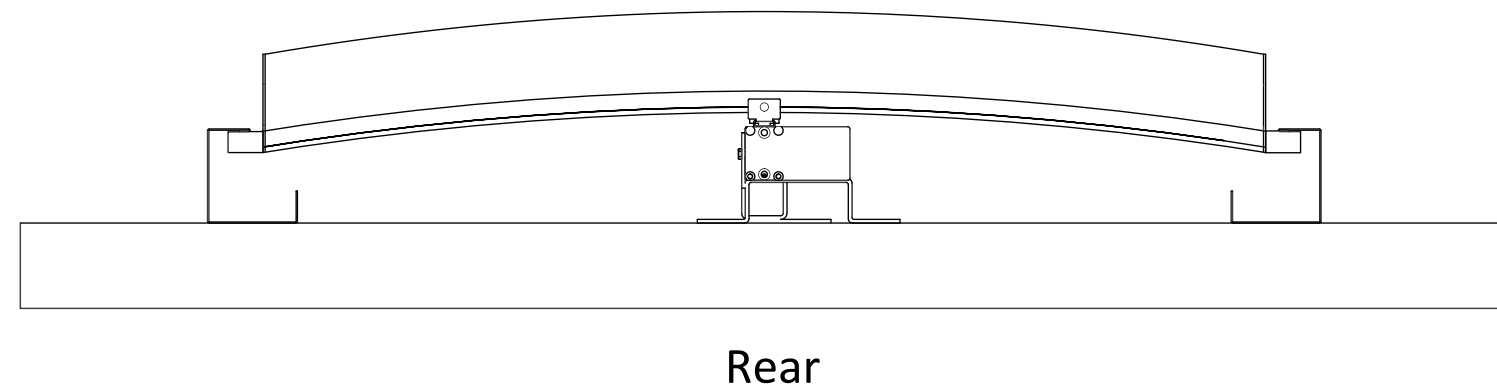


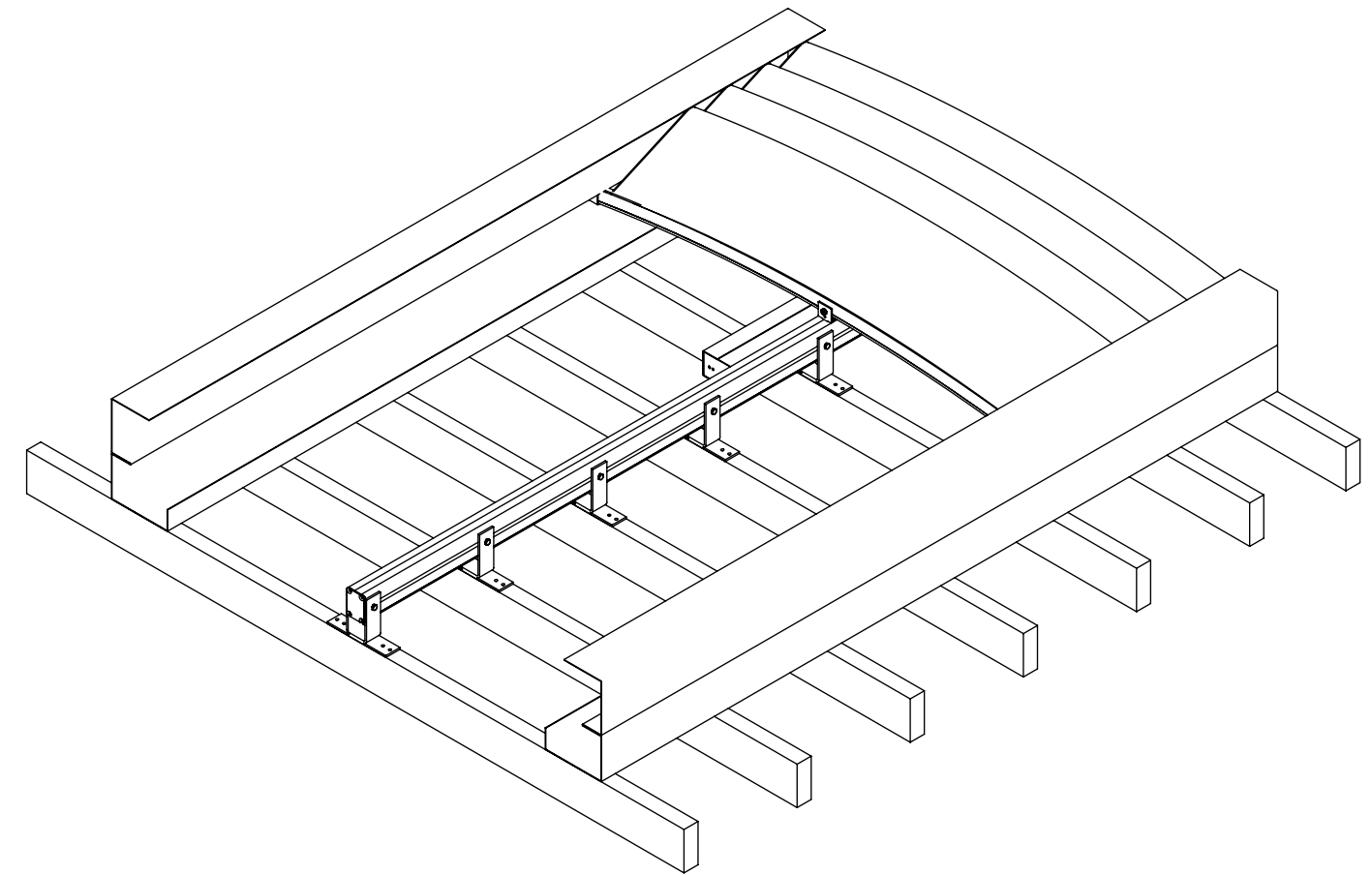
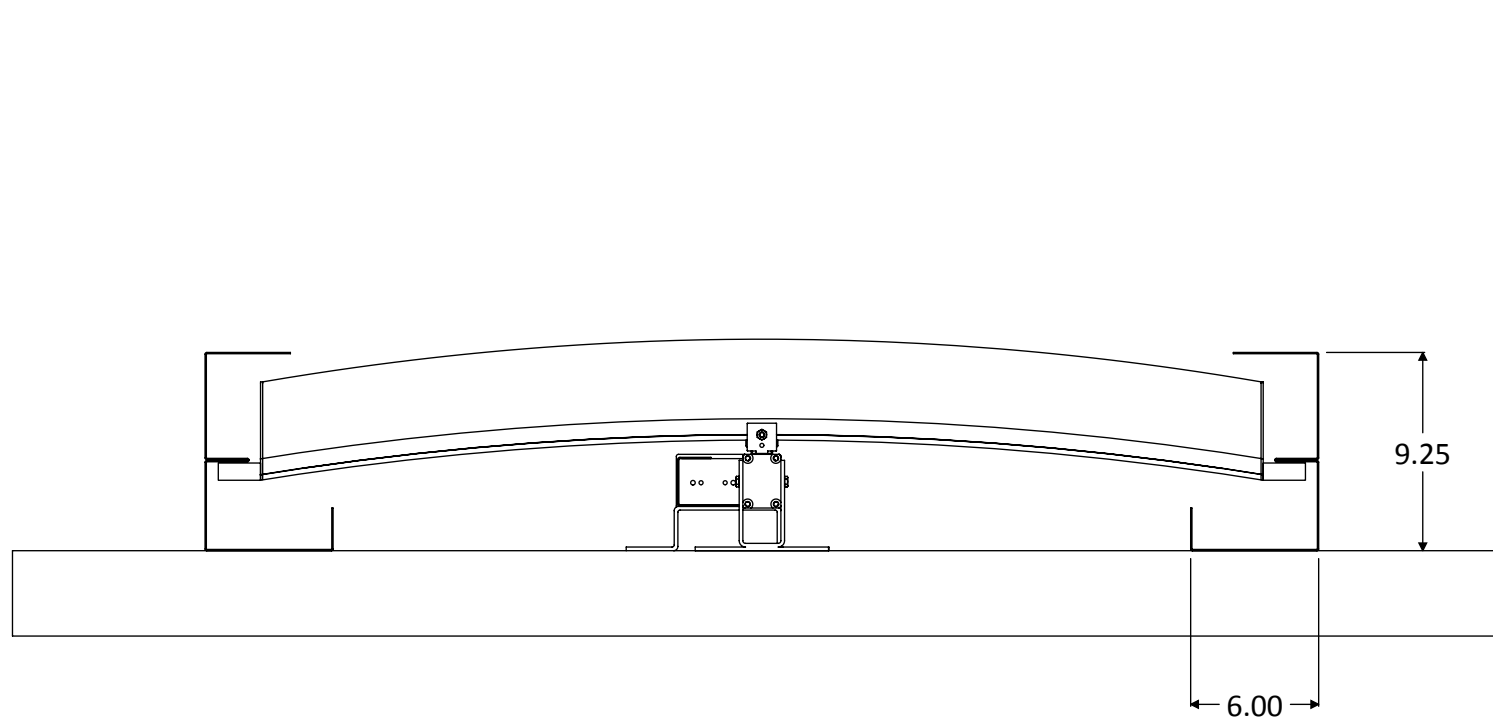
MOUNTING EXAMPLES

Parallel To Rafters



Perpendicular To Rafters





Gutter Stabilizer - Optional



FASTENERS



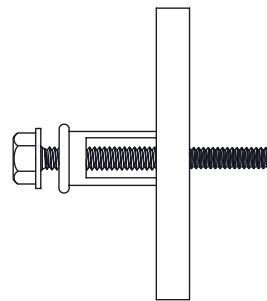
Wood Screw

#8 x 3" Robertson Drive
Coated with Shield Guard
for Corrosion Protection



Aluminum / Steel
Tek Screw

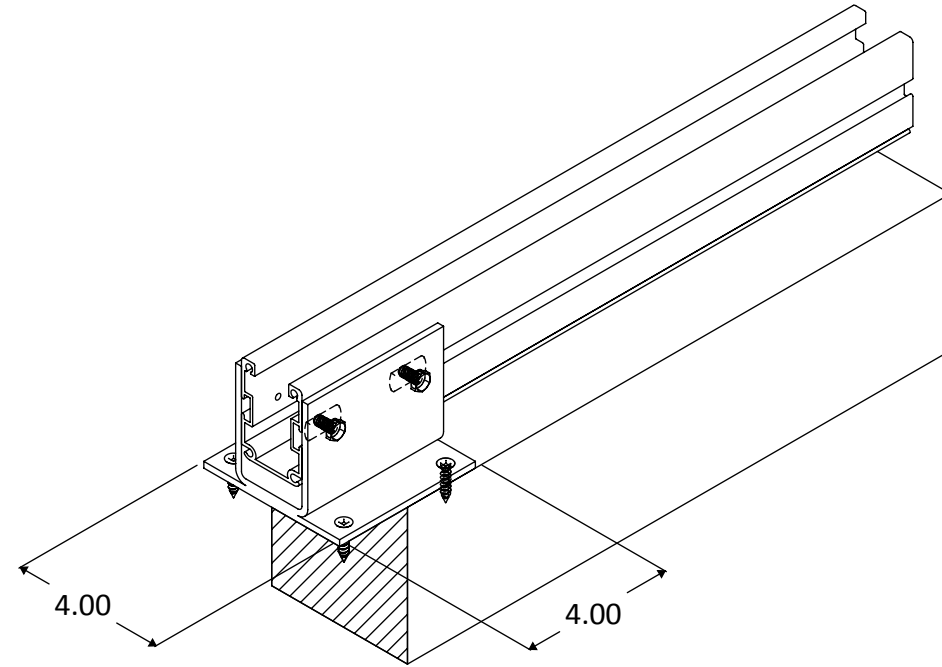
1/4 x 1" Hex
Head



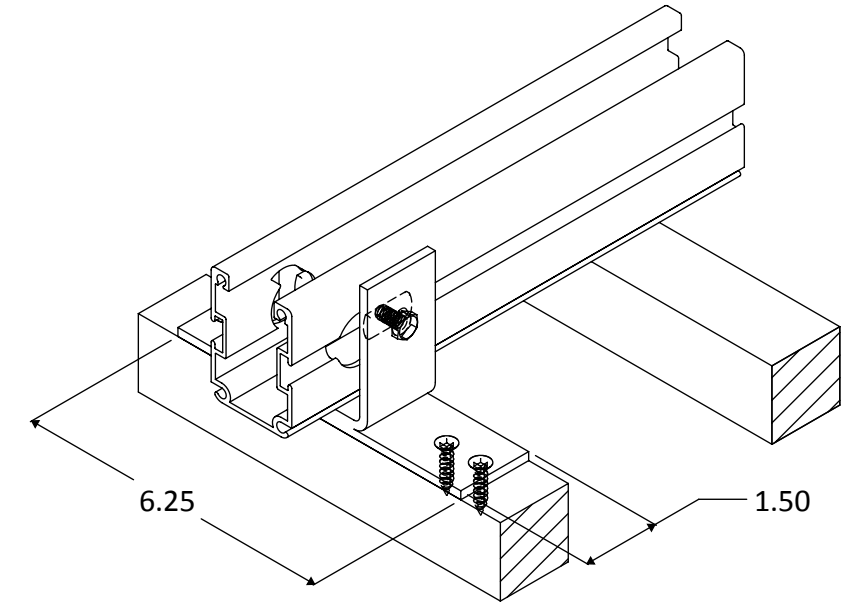
Toggle Bolt

MOUNTING OPTIONS

Standard

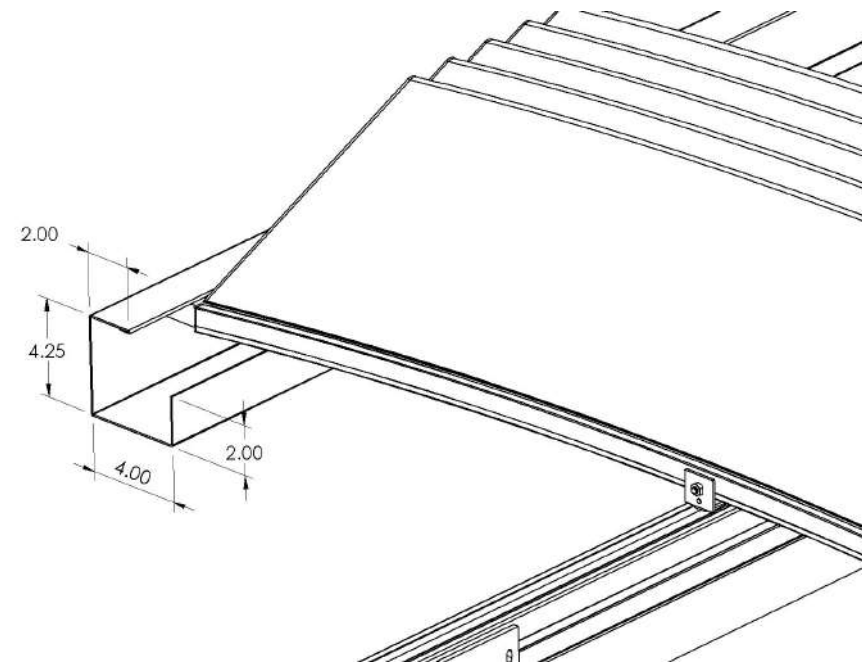


Parallel to Rafters

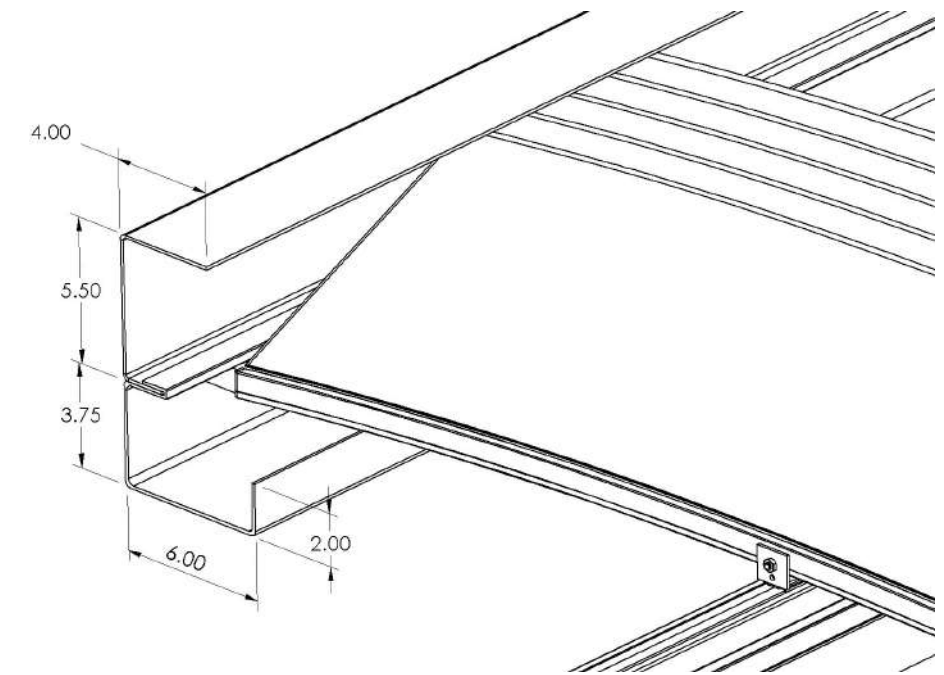


Perpendicular to Rafters

STABILIZATION OPTIONS



G-Channel Stabilizer

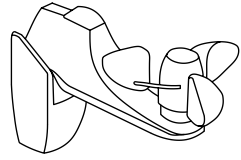


Gutter Stabilizer



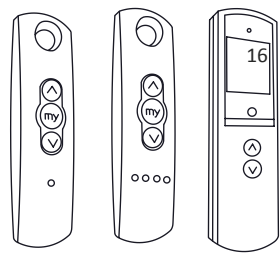
MOTOR ACCESSORIES

Wind Sensor



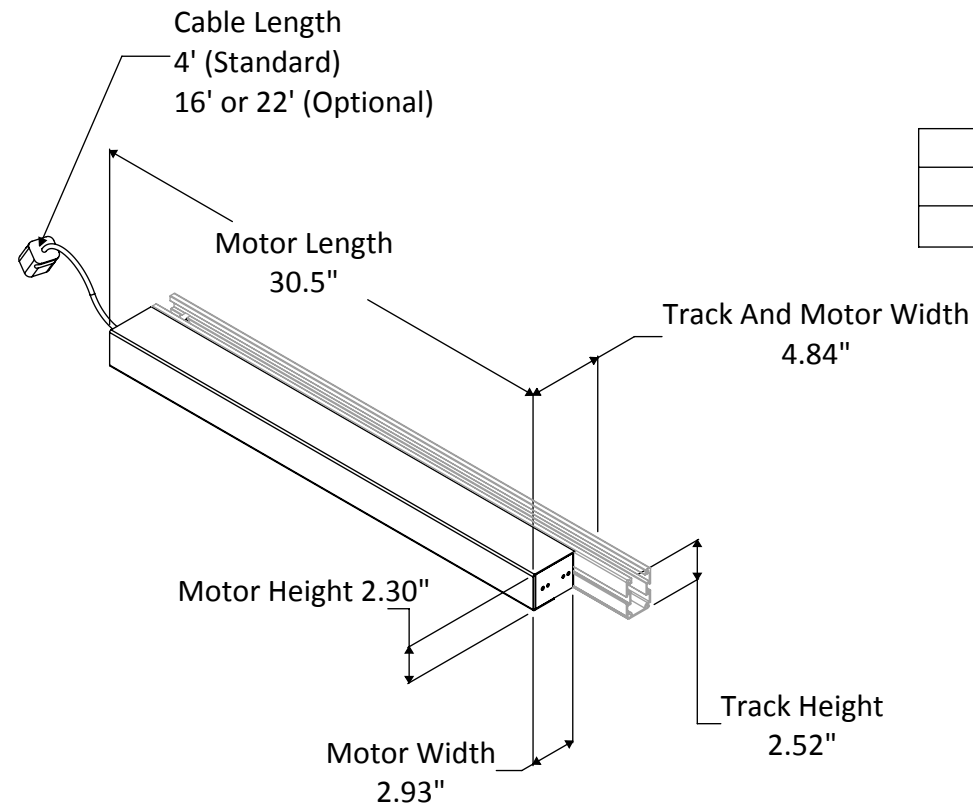
A radio receiver enables the automatic control of canopy when combined with wind sensor.

Motor Control



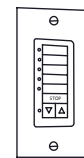
1-, 5- or 16-channel remote control

MOTOR SIZES



2A
120/60/50 V GFI
3-Prong (Grounded) Connection Required

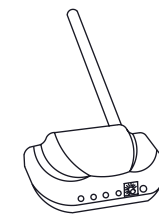
* SHARING A POWER SOURCE WITH OTHER DEVICES MAY CAUSE A DROP IN PERFORMANCE. FOR BEST RESULTS DO NOT RUN ANY OTHER HIGH POWERED EQUIPMENT FROM THE SAME SOURCE



3-, 4- or 5- channel wall-mounted switch



The Somfy TaHoma® gateway and smart phone app provides convenient and customized control of canopy operation



Home Automation Dry Contact Interface enables communication of third-party home automation system and canopy

