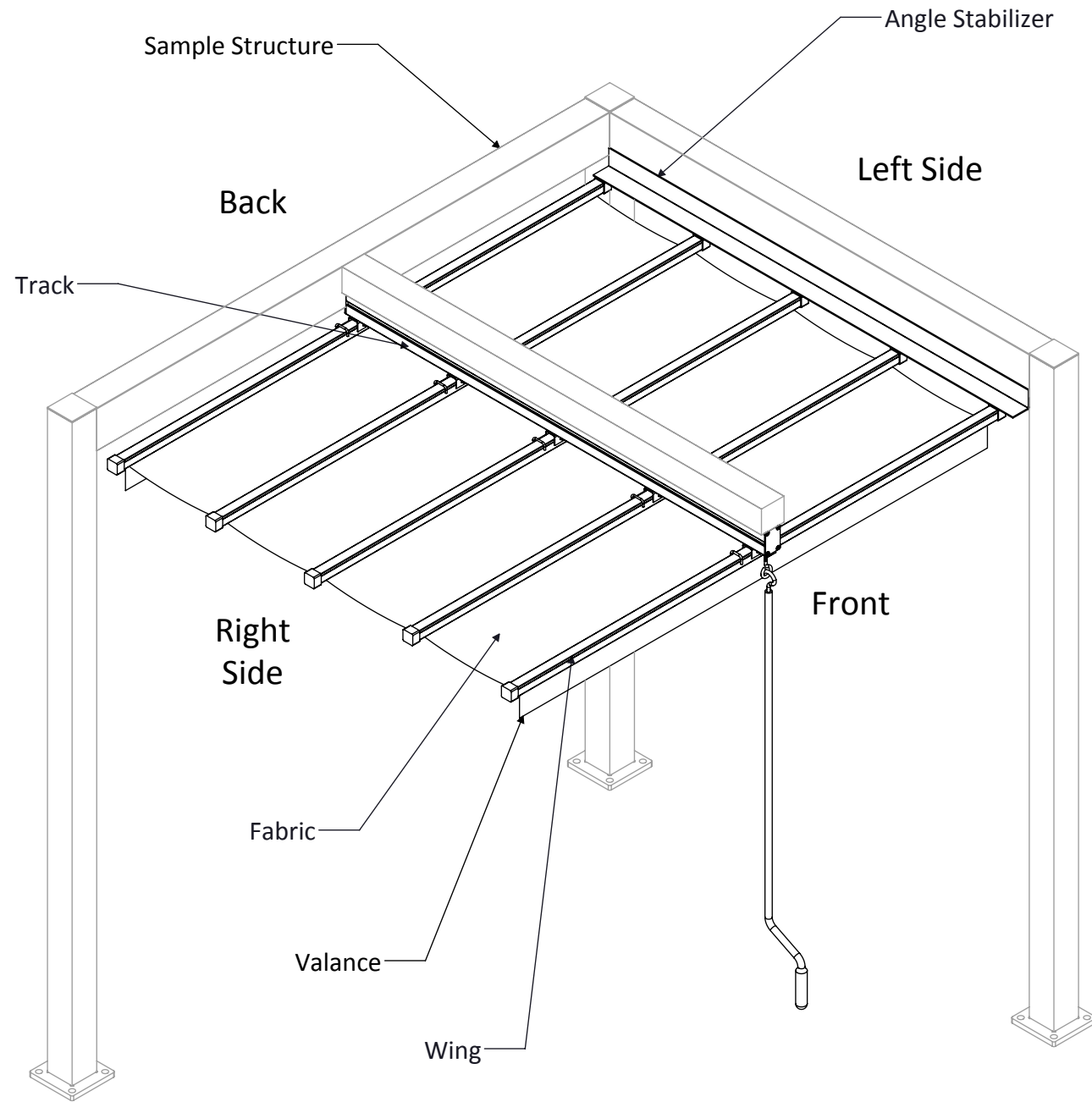


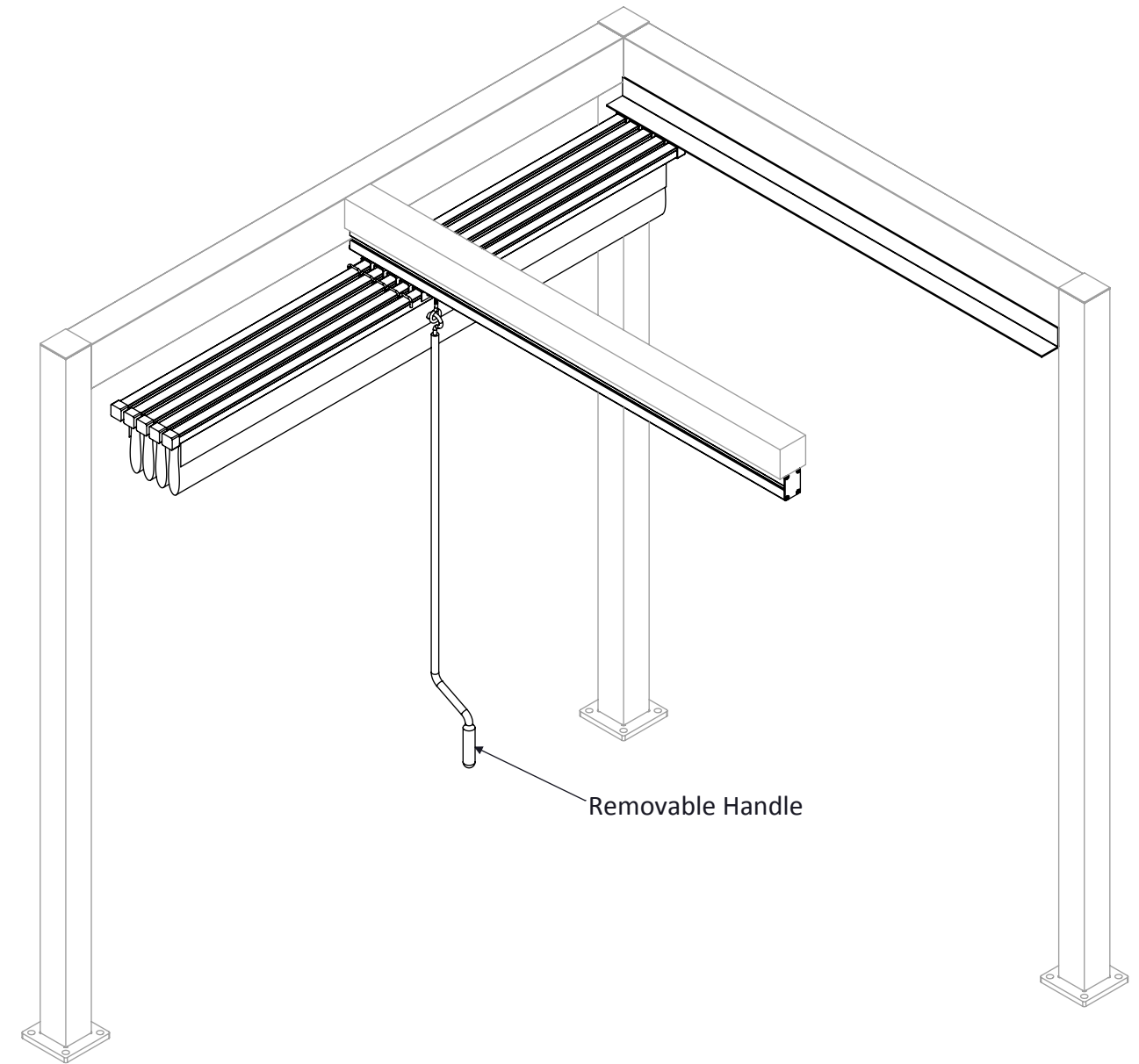


Technical Information Package  
Retractable Canopy

# HANDLE OPERATED CANOPY



**Canopy Extended**

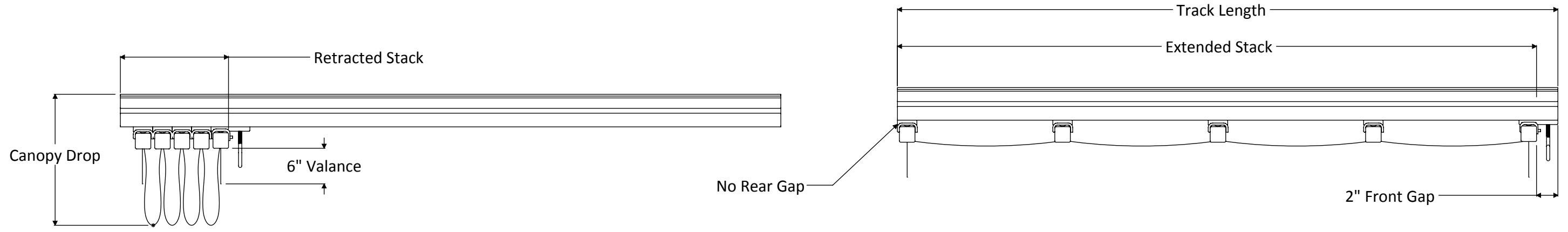


**Canopy Retracted**

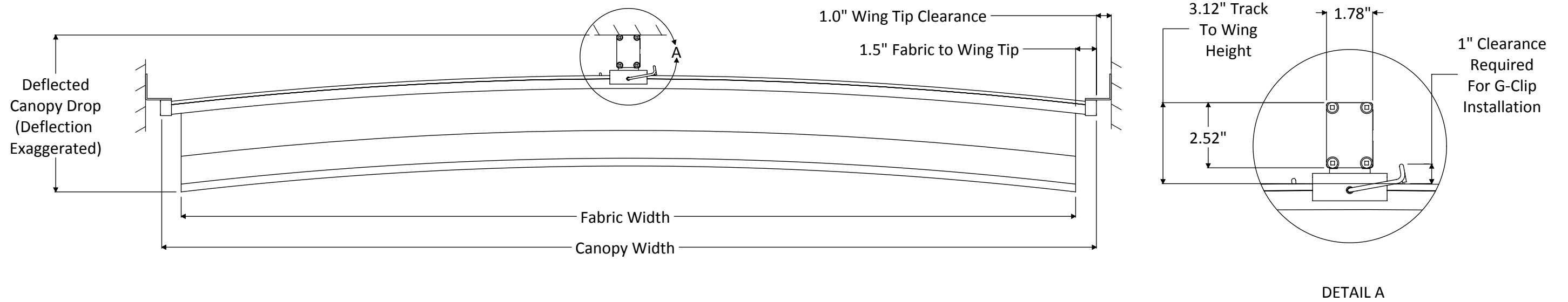


# HANDLE OPERATED CANOPY

## Side View



## Front View



# FASTENERS

# MOUNTING OPTIONS



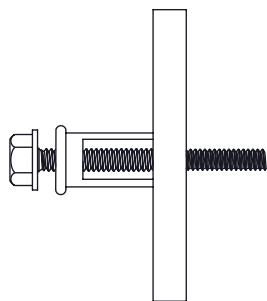
Wood Screw

#8 x 3" Robertson Drive  
Coated with Shield Guard  
for Corosion Protection



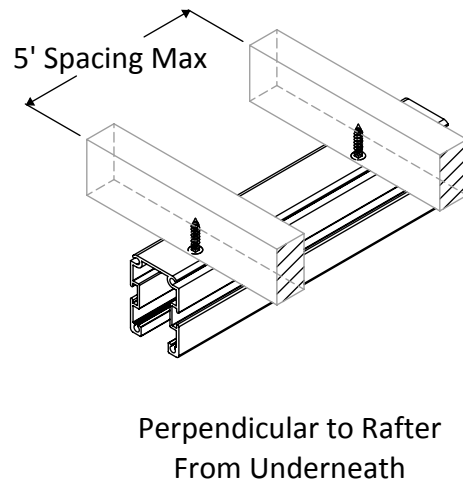
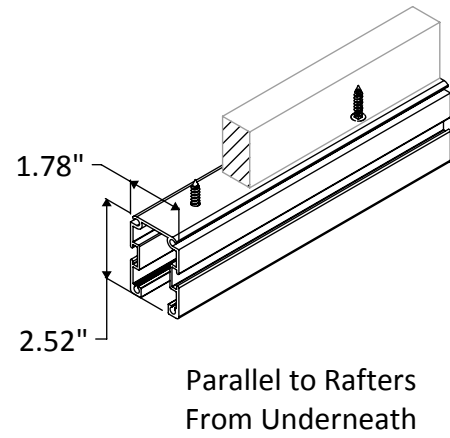
Aluminum / Steel  
Tek Screw

1/4 x 1" Hex Head

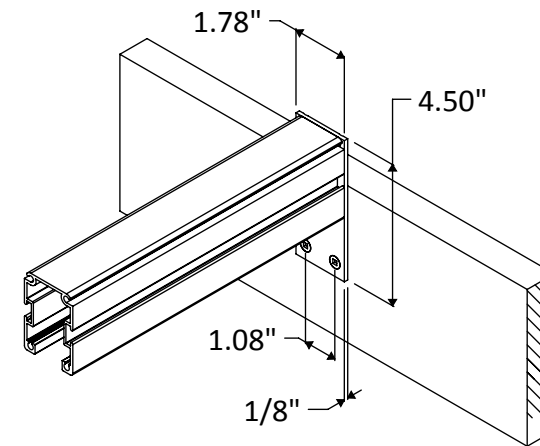


Toggle Bolt

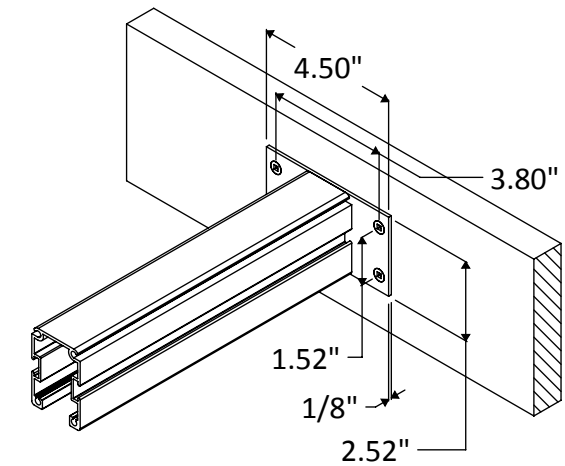
## Standard



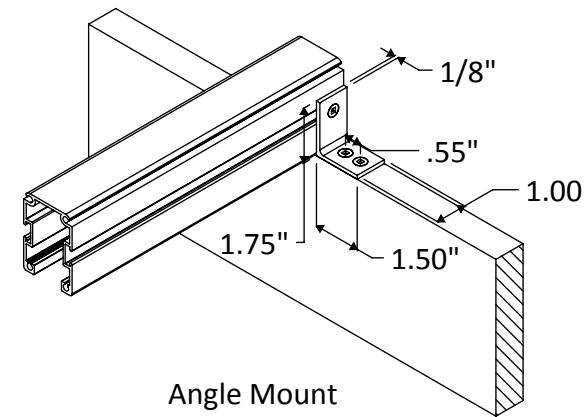
## Optional



Tongue Mount  
(Upward or Downward)



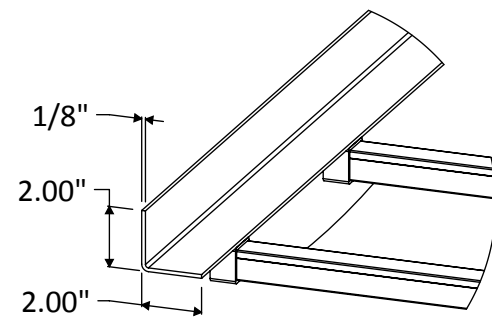
Flange Mount



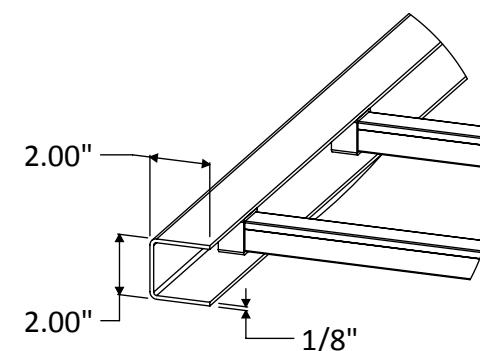
Angle Mount

\* These Options May Not Be Available If Track Is Over 10' Long

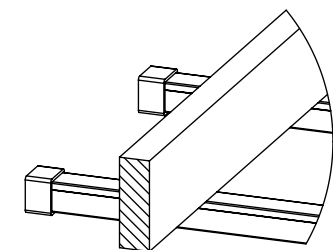
# STABILIZATION OPTIONS



Angle Stabilizer



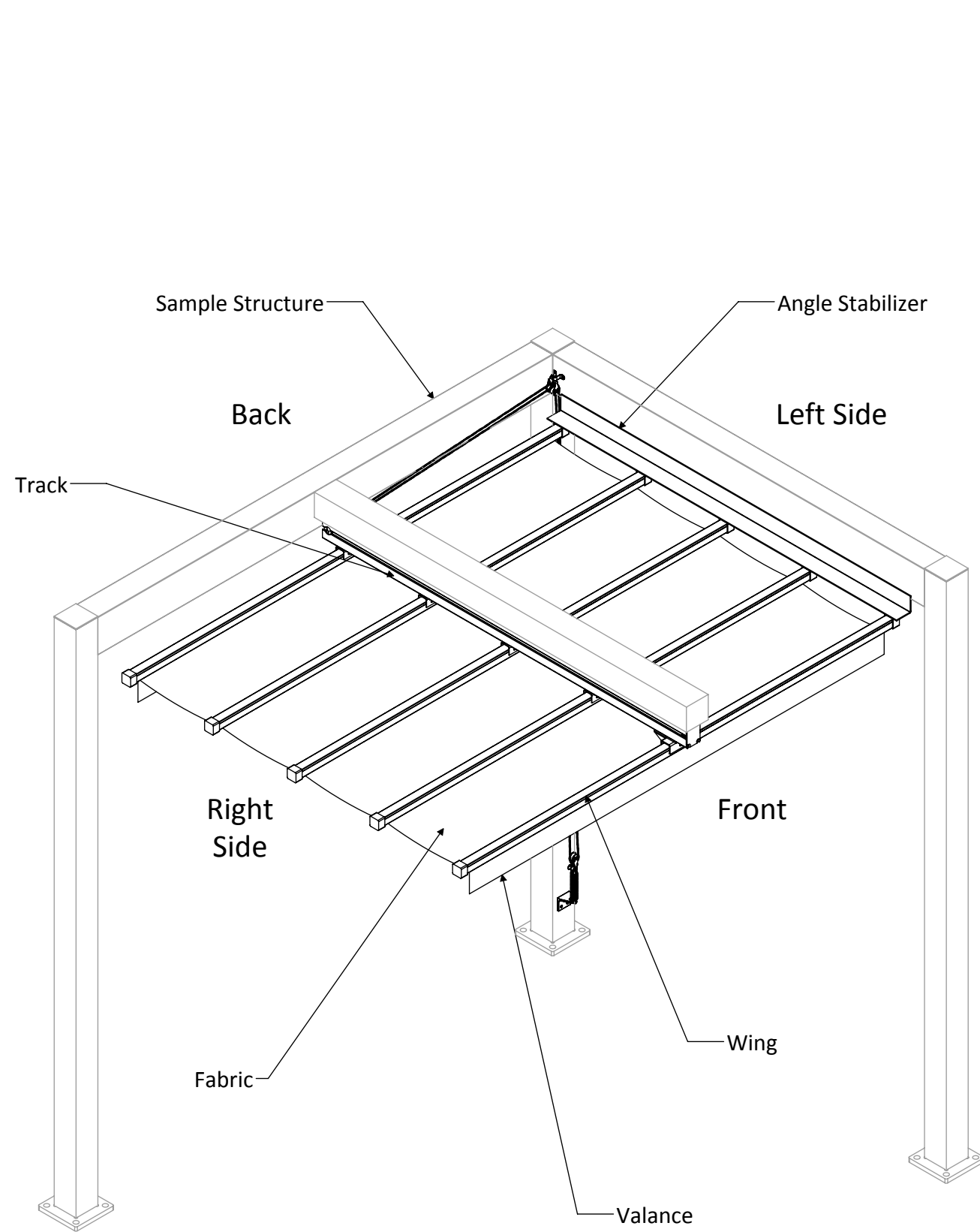
C-Channel Stabilizer



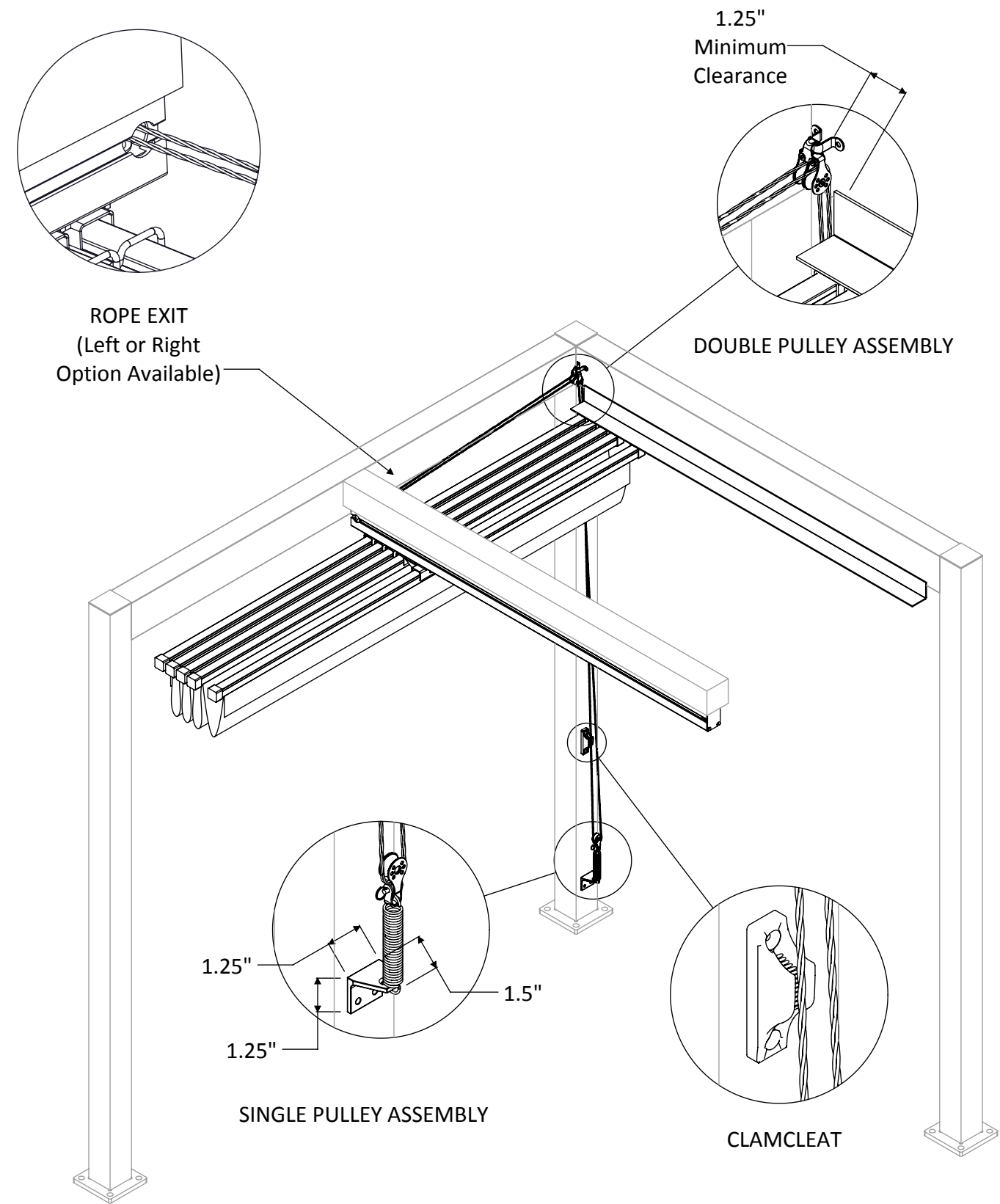
Inboard



# ROPE OPERATED CANOPY



Canopy Extended

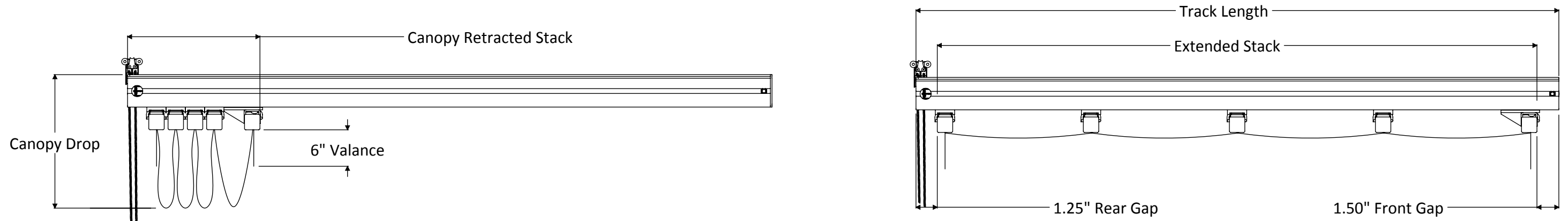


Canopy Retracted

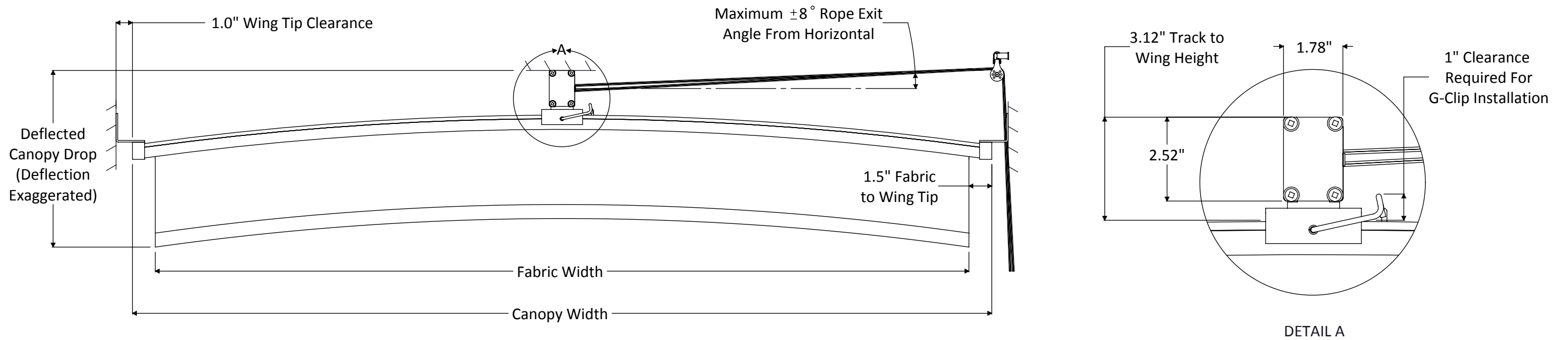


# ROPE OPERATED CANOPY

## Side View



## Front View



# FASTENERS



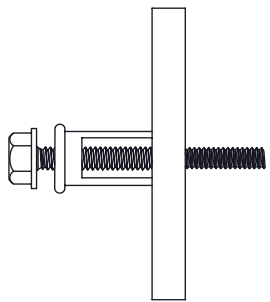
Wood Screw

#8 x 3" Robertson Drive  
Coated with Shield Guard  
for Corosion Protection



Aluminum / Steel  
Tek Screw

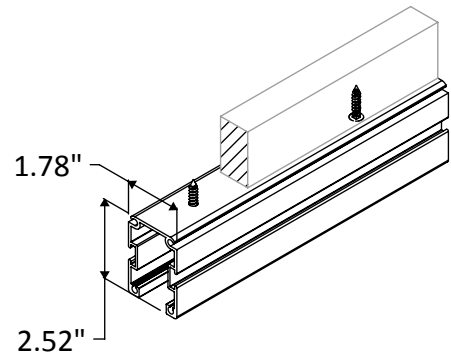
1/4 x 1" Hex  
Head



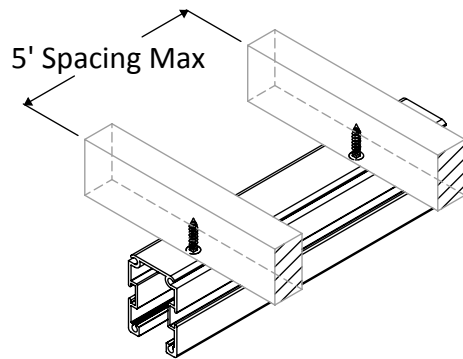
Toggle Bolt

# MOUNTING OPTIONS

## Standard

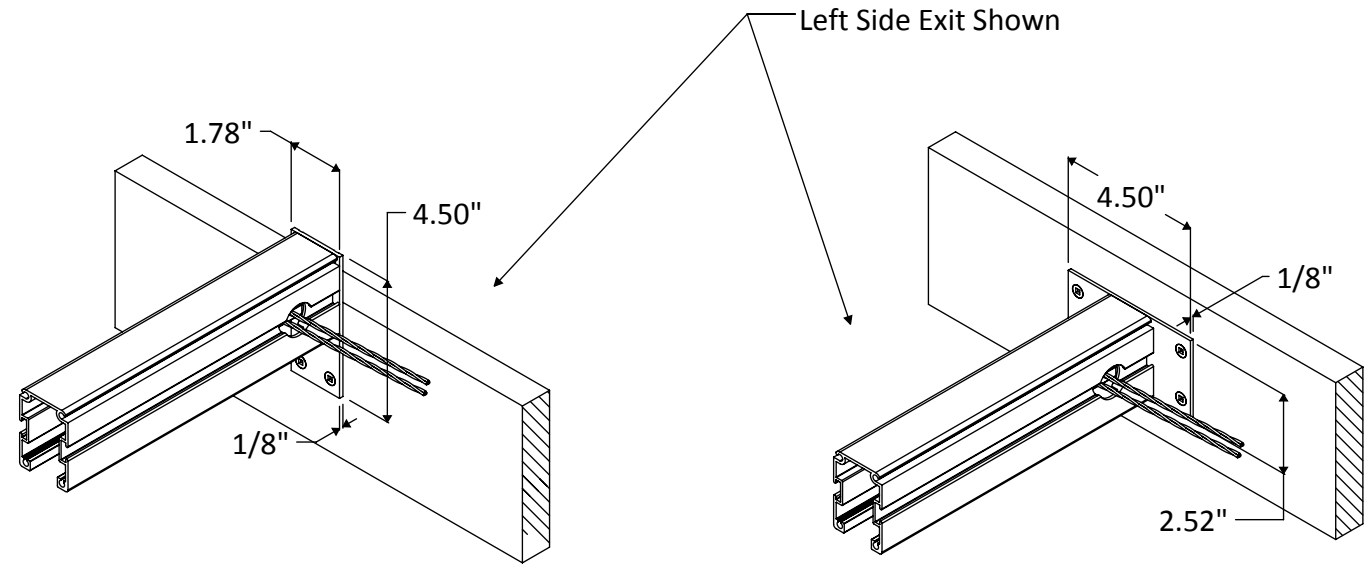


Parallel to Rafters  
From Underneath



Perpendicular to Rafter  
From Underneath

## Optional

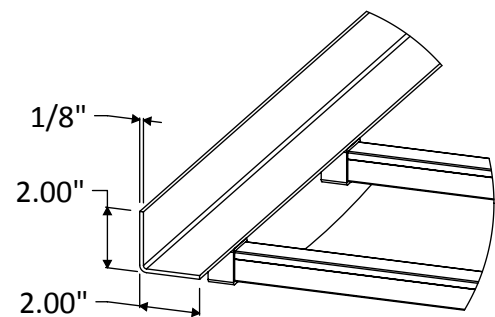


Tongue Mount  
(Upward or Downward)

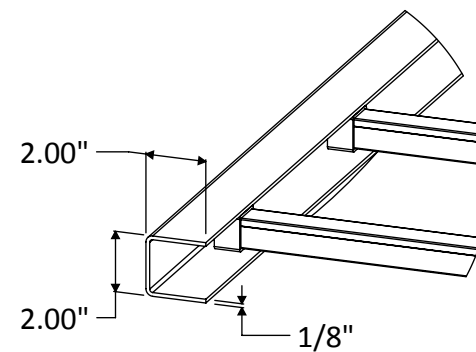
Flange Mount

\* These Options May Not Be Available If Track Is Over 10' Long

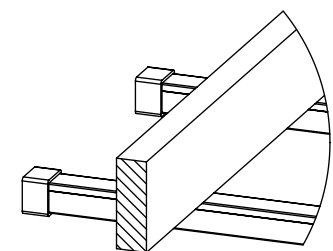
# STABILIZATION OPTIONS



Angle Stabilizer



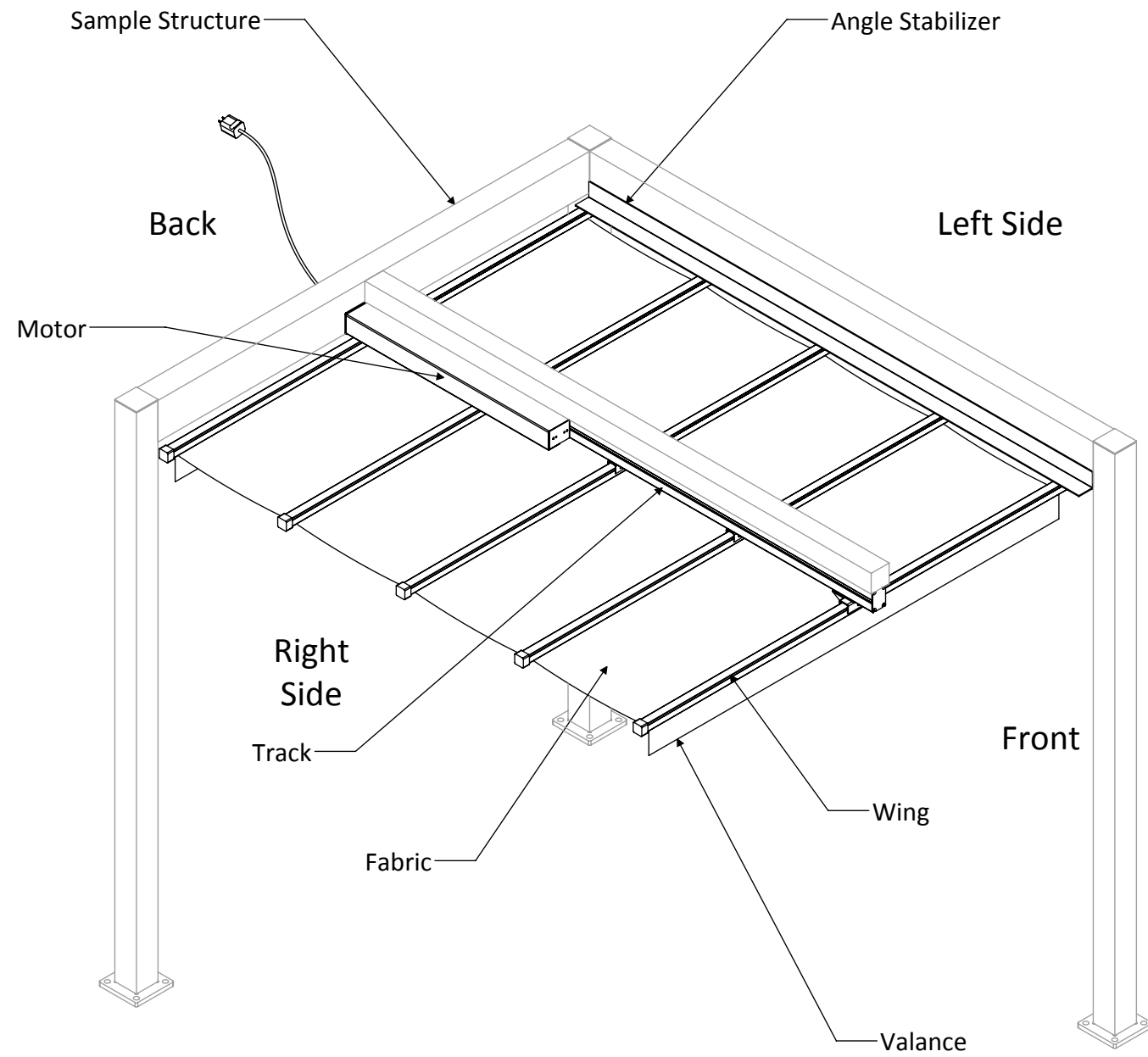
C-Channel Stabilizer



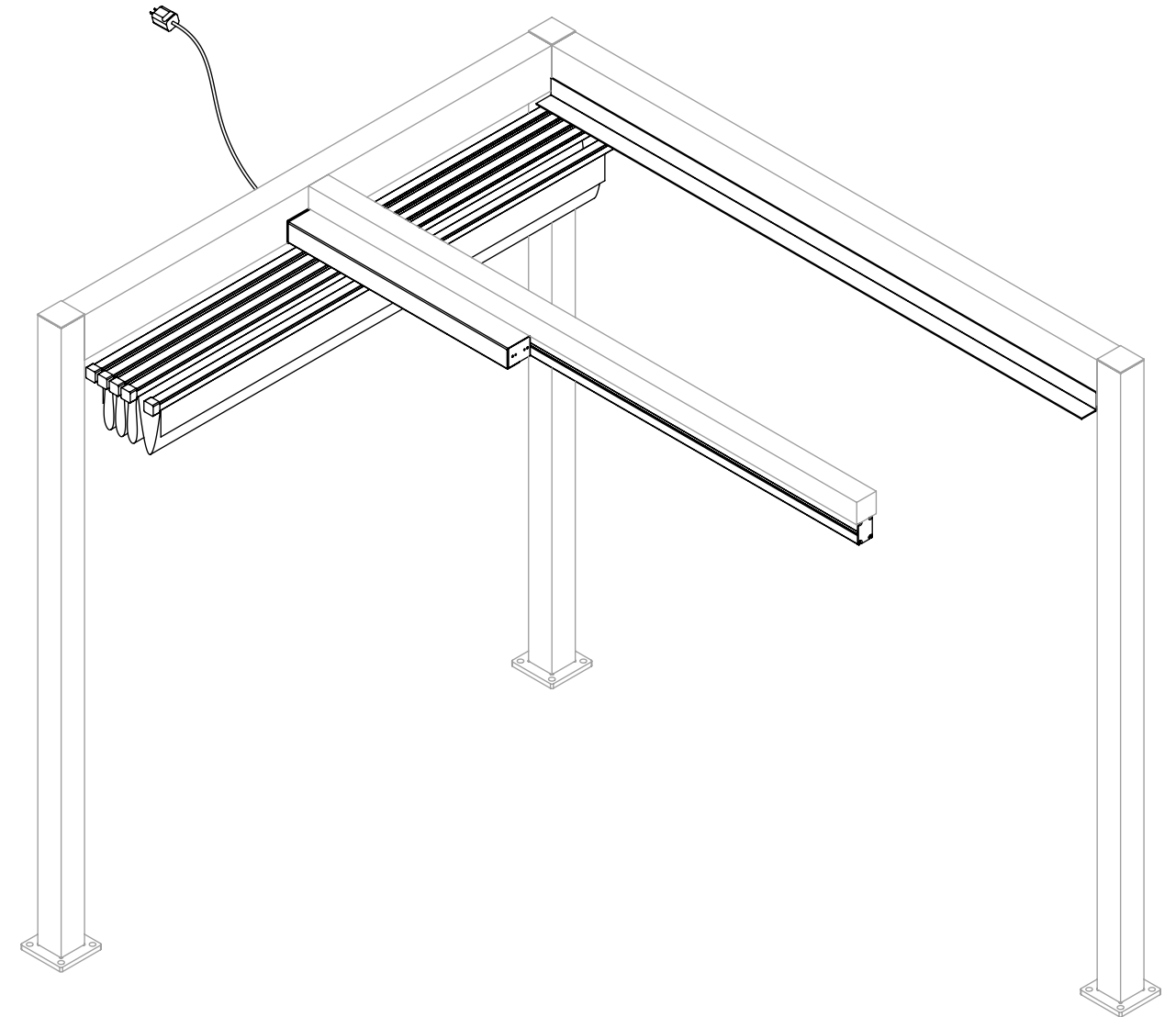
Inboard



# MOTOR OPERATED CANOPY



**Canopy Extended**



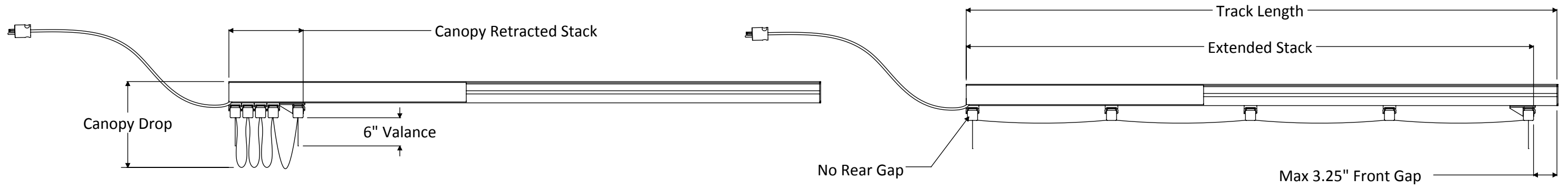
**Canopy Retracted**



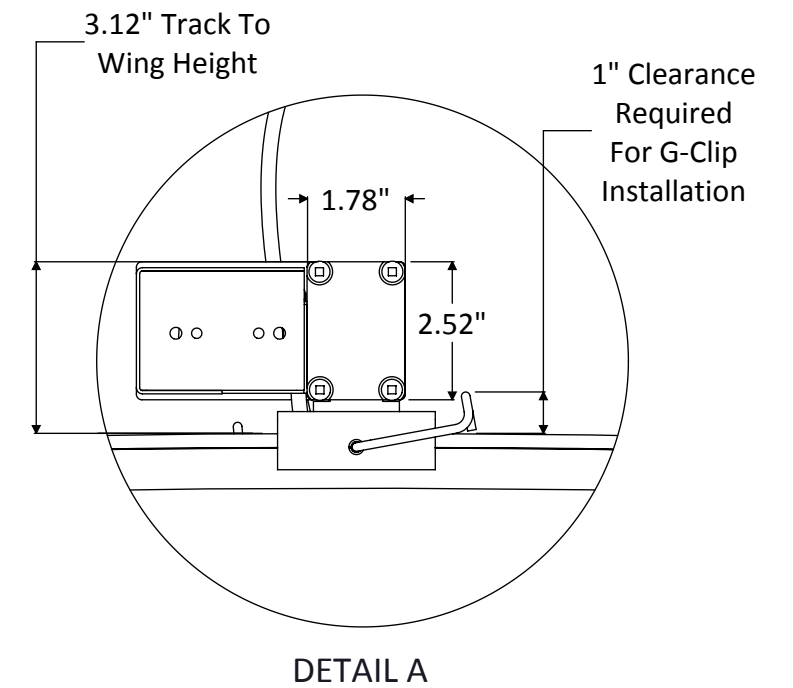
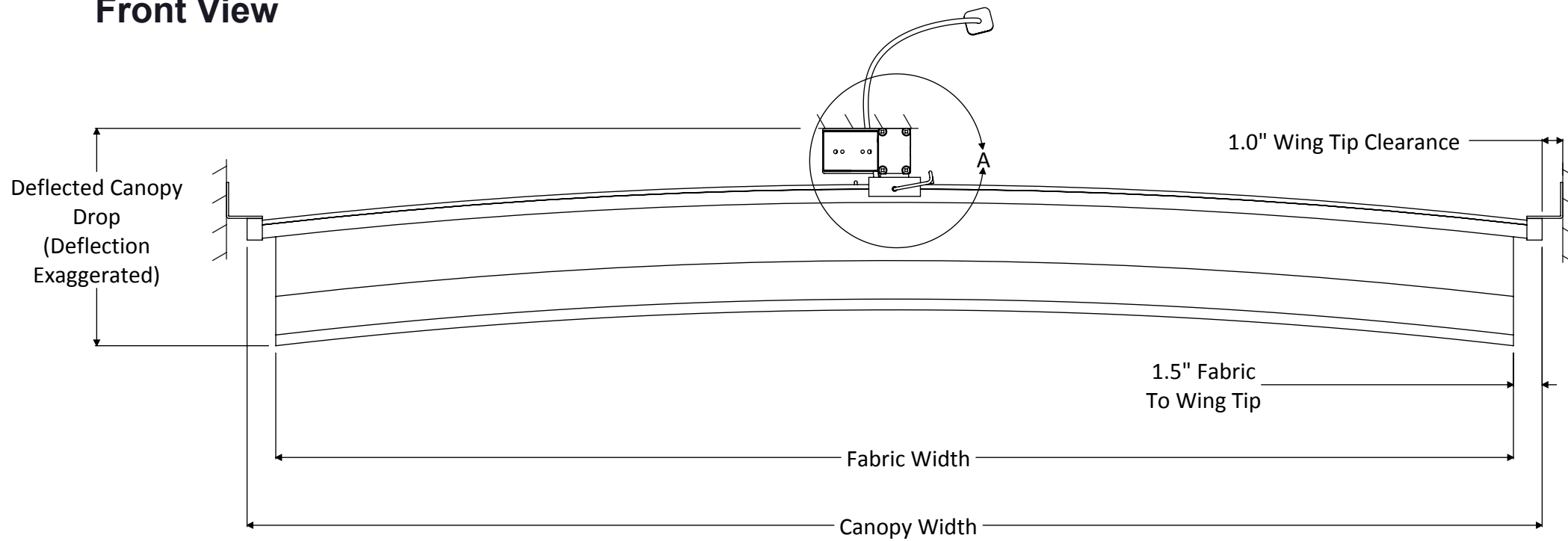


# MOTOR OPERATED CANOPY

## Side View

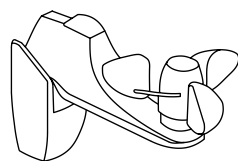


## Front View



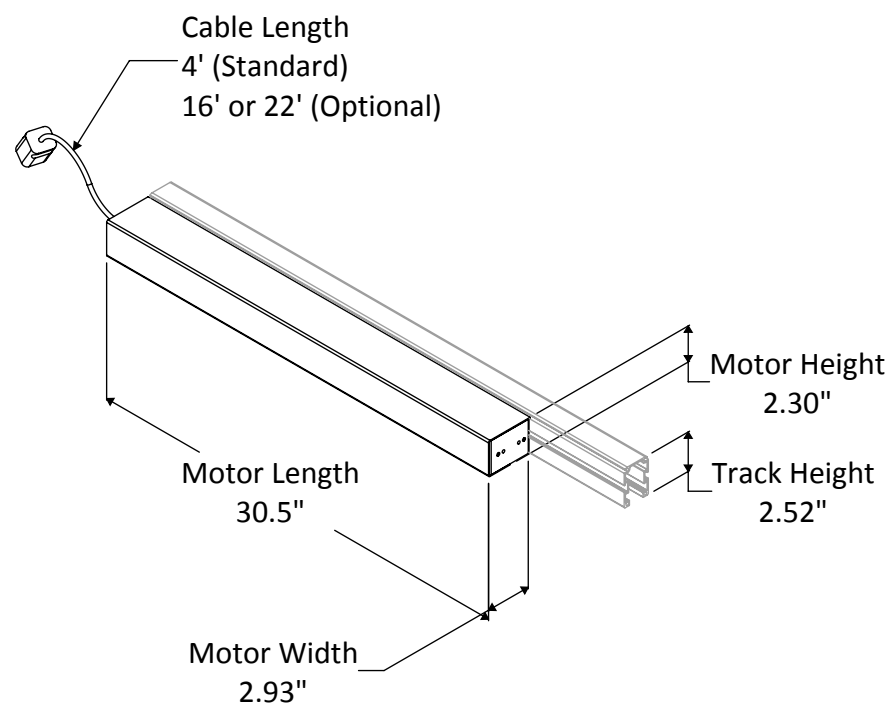
## MOTOR ACCESSORIES

### Wind Sensor



A radio receiver enables the automatic control of canopy when combined with wind sensor.

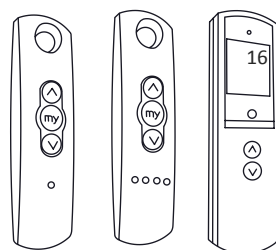
## MOTOR SIZES



<b>2A</b>
<b>120/60/50 V GFI</b>
<b>3-Prong (Grounded) Connection Required</b>

\* SHARING A POWER SOURCE WITH OTHER DEVICES MAY CAUSE A DROP IN PERFORMANCE. FOR BEST RESULTS DO NOT RUN ANY OTHER HIGH POWERED EQUIPMENT FROM THE SAME SOURCE

### Motor Control



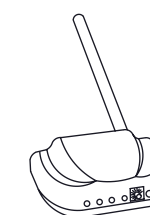
1-, 5- or 16-channel remote control



3-, 4- or 5- channel wall-mounted switch



The Somfy TaHoma® gateway and smart phone app provides convenient and customized control of canopy operation



Home Automation Dry Contact Interface enables communication of third-party home automation system and canopy



# FASTENERS



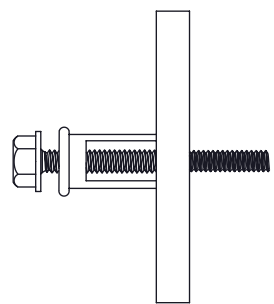
Wood Screw

#8 x 3" Robertson Drive Coated with Shield Guard for Corrosion Protection



Aluminum / Steel Tek Screw

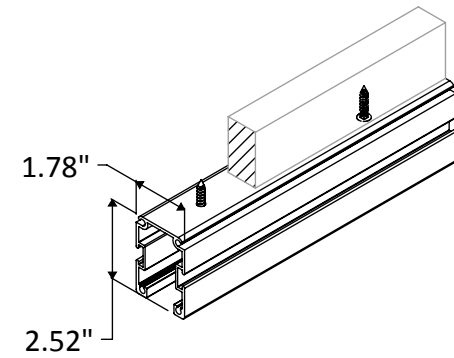
1/4 x 1" Hex Head



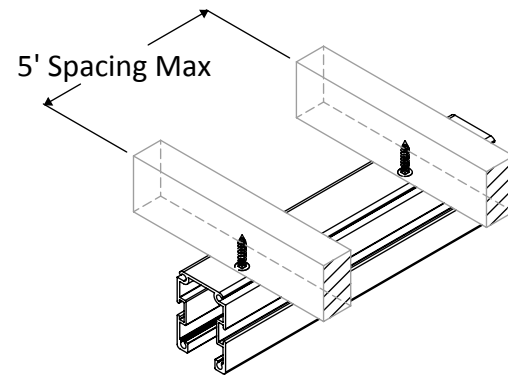
Toggle Bolt

# MOUNTING OPTIONS

## Standard

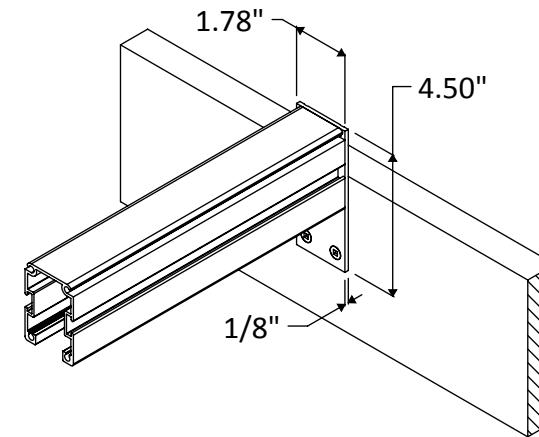


Parallel to Rafters From Underneath

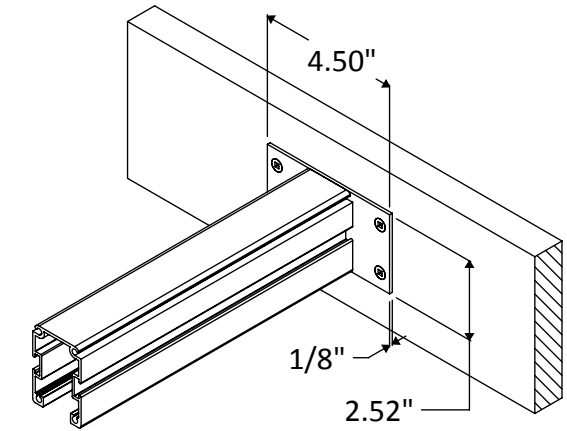


Perpendicular to Rafter From Underneath

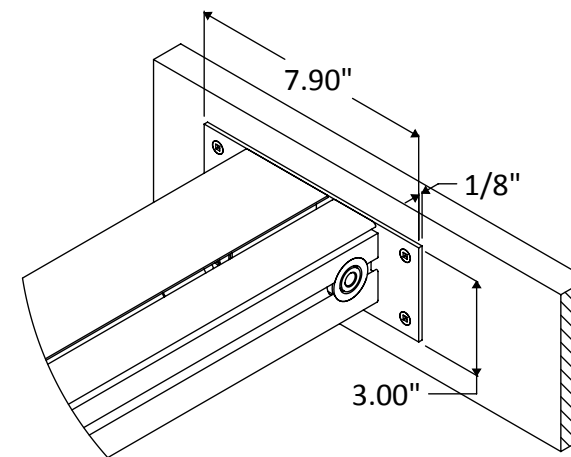
## Optional



Tongue Mount (Upward Or Downward)



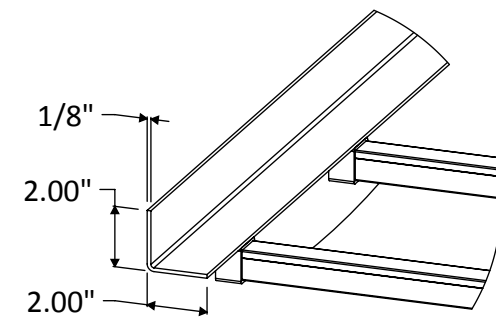
Flange Mount (Front Only)



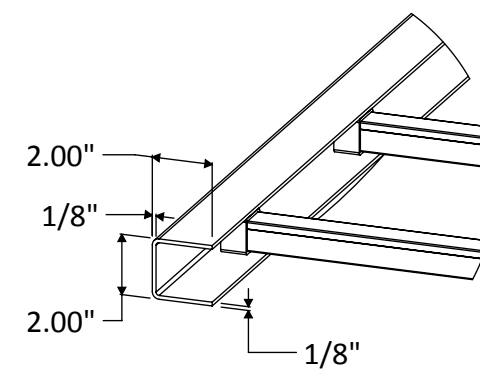
Flange Mount with Motor (Rear Only)

\*These Options May Not Be Available If Track Is Over 10' Long

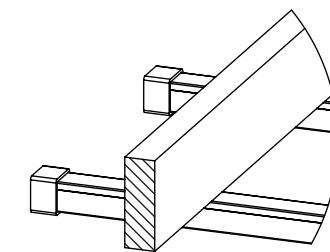
# STABILIZATION OPTIONS



Angle Stabilizer



C-Channel Stabilizer

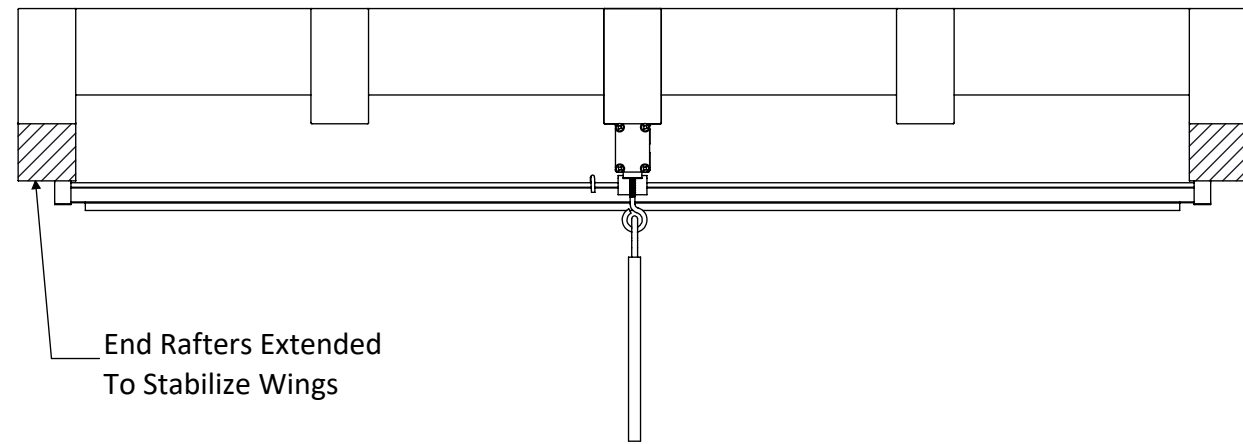


Inboard

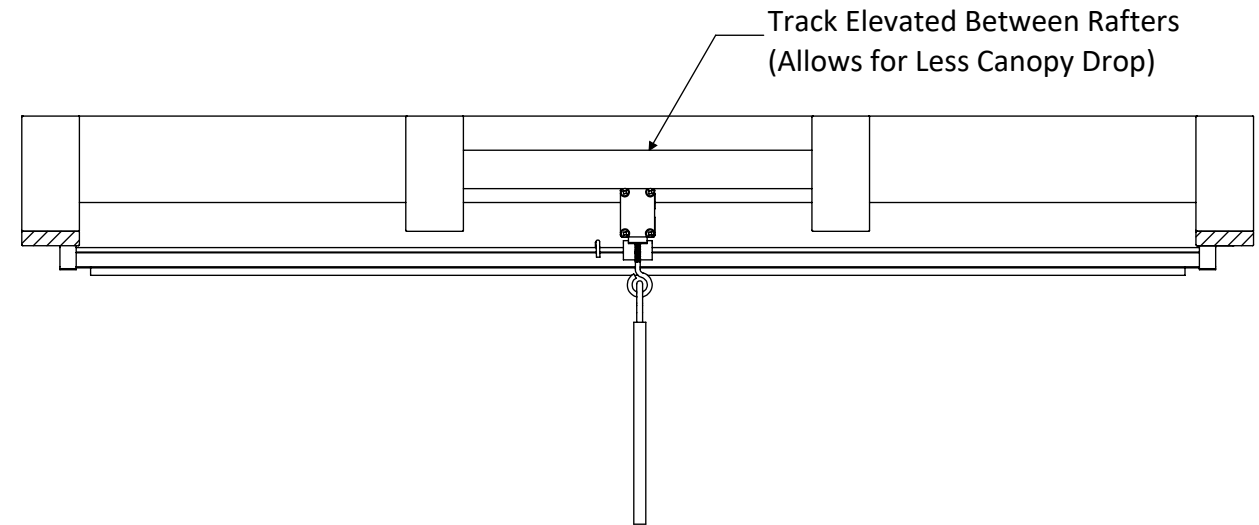


# MOUNTING EXAMPLES

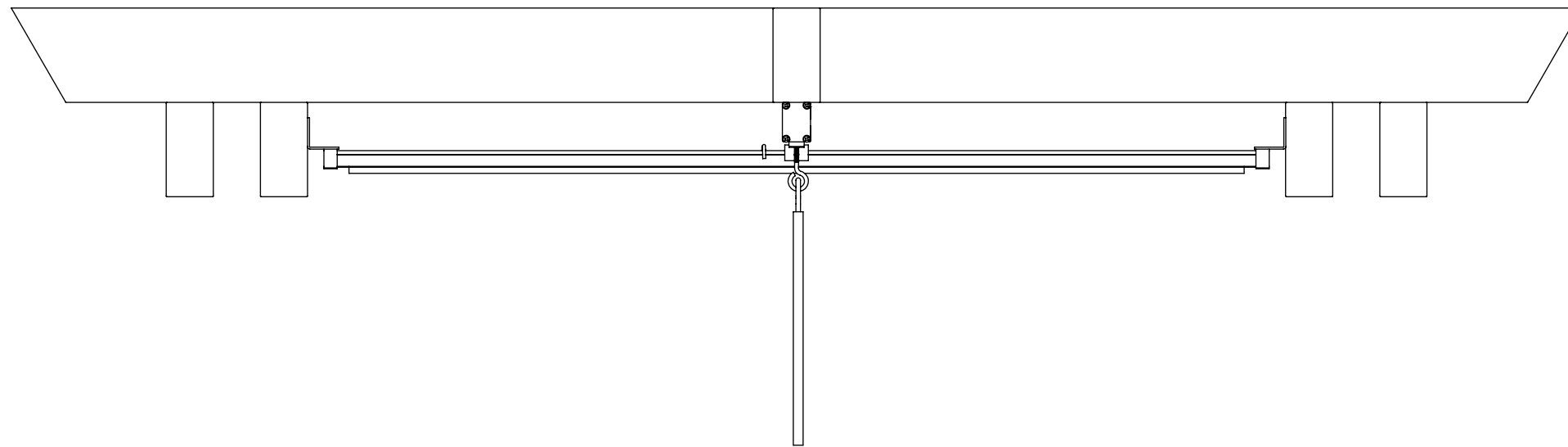
### Parallel To Rafters (Odd Number Of Rafters)



### Parallel To Rafters (Even Number Of Rafters)

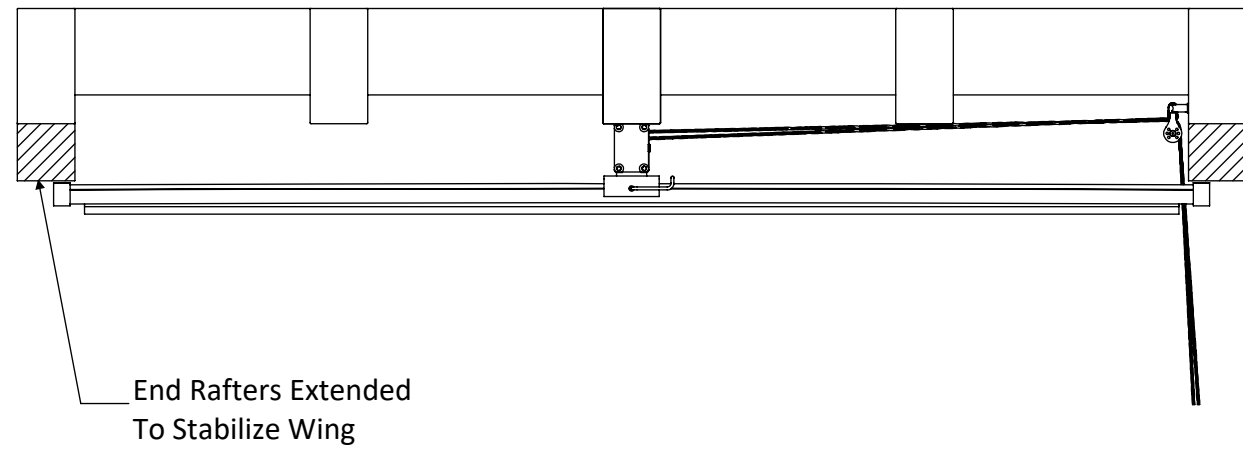


### Perpendicular To Rafters

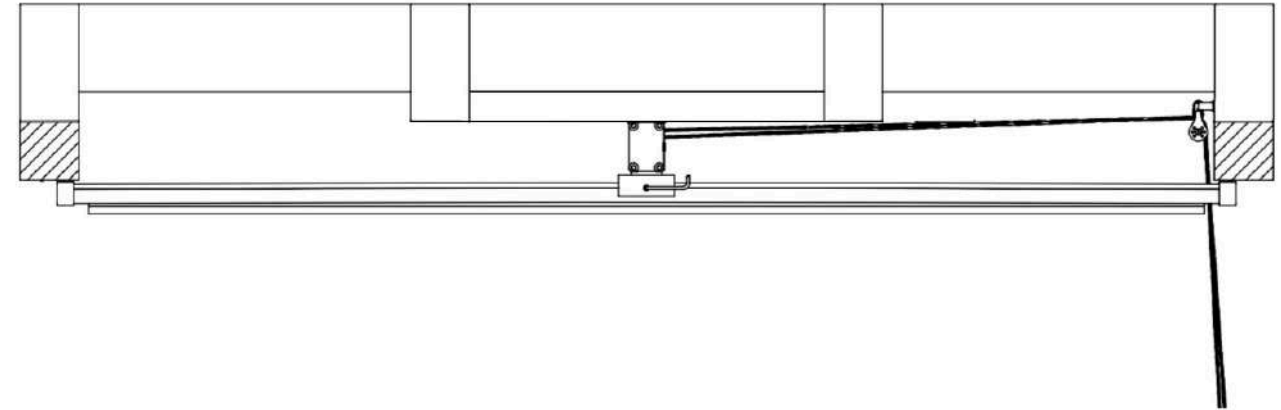


# MOUNTING EXAMPLES

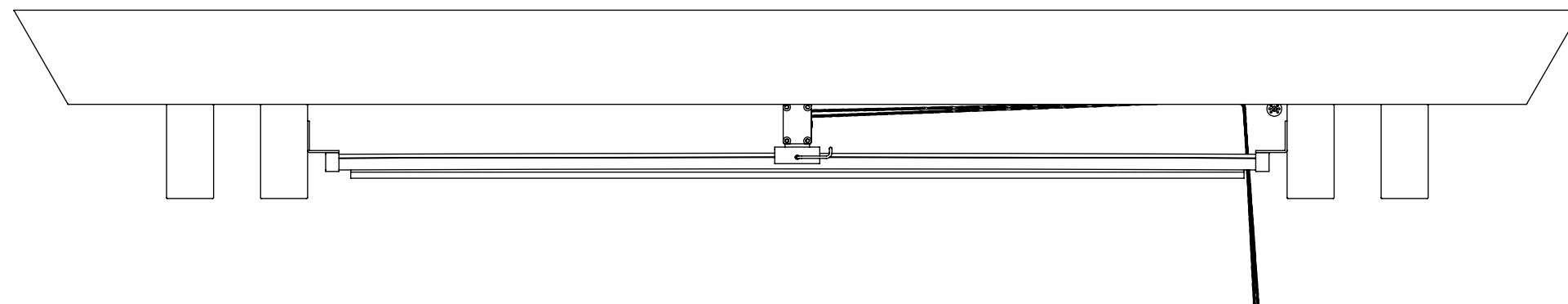
### Parallel To Rafters (Odd Number Of Rafters)



### Parallel To Rafters (Even Number Of Rafters)

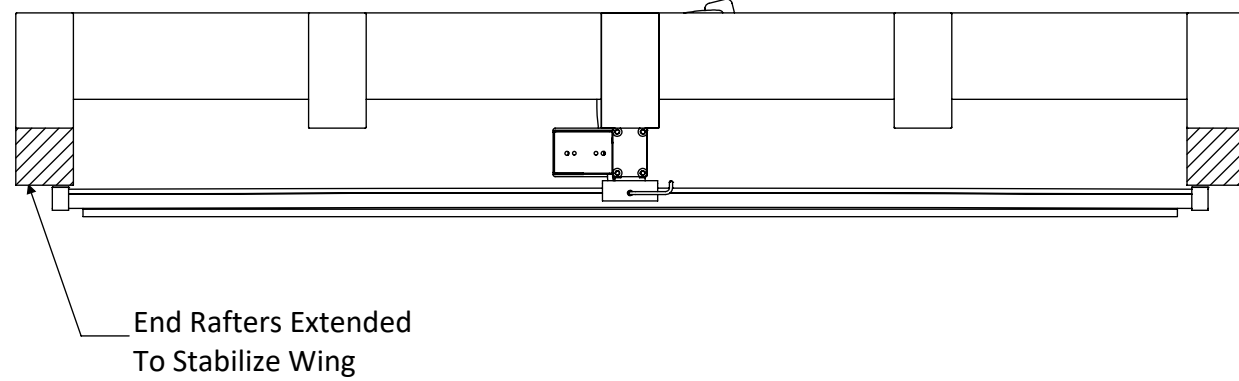


### Perpendicular To Rafters

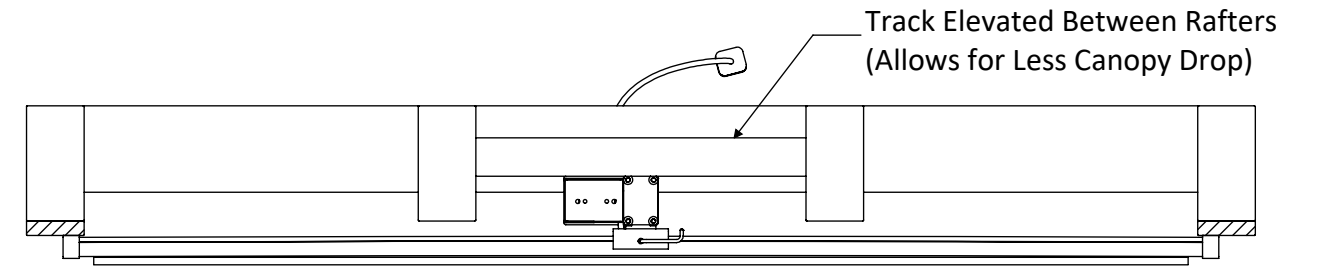


# MOUNTING EXAMPLES

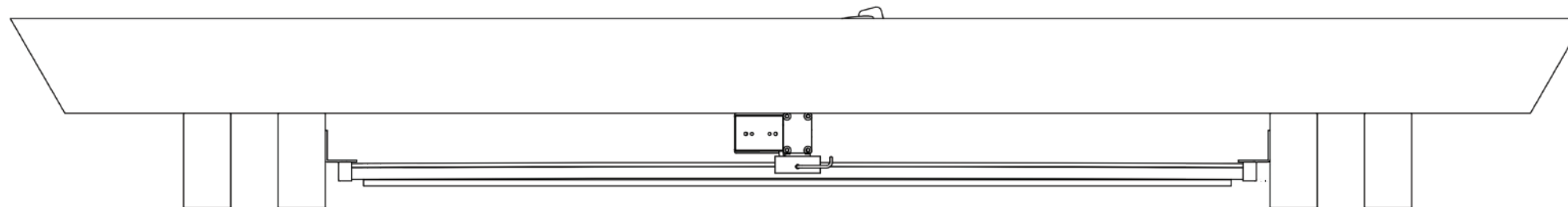
### Parallel To Rafters (Odd Number Of Rafters)



### Parallel To Rafters (Even Number Of Rafters)

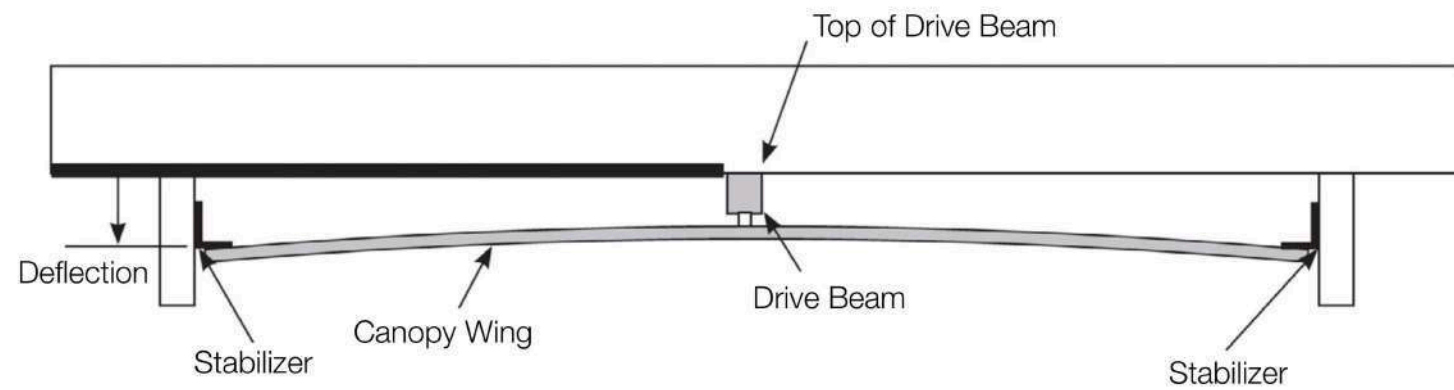


### Perpendicular To Rafters



# RAIN MANAGEMENT OPTIONS

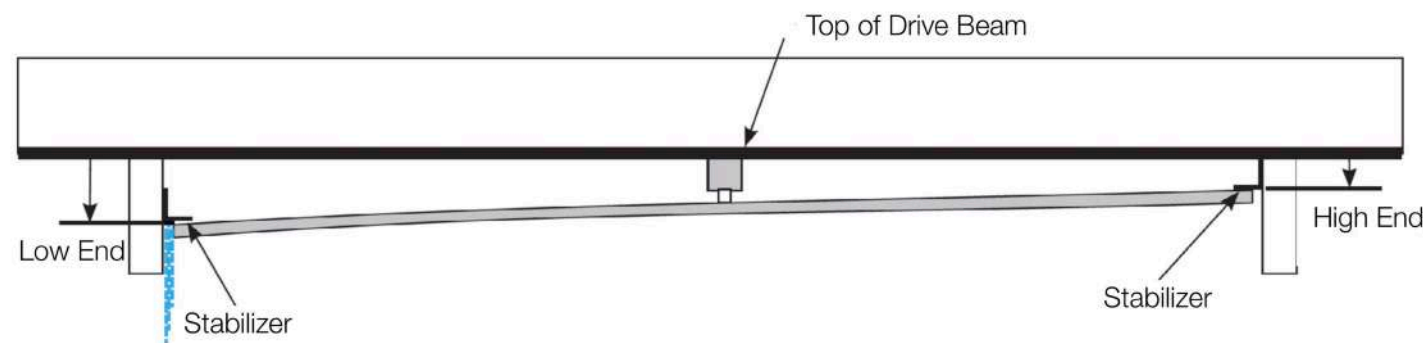
## Flat Canopy



Canopy Level And Rainfall Directed To Both Sides

Wing Length (ft.)	Deflection (In.)
8- 9	3 5/16
9 -10	3 3/8
10 - 11	3 5/8 - 3 7/8
11 - 12	3 7/8 - 4 1/4
12 - 13	4 - 4 5/8
13 - 14	4 1/2 - 5
14 - 15	4 7/8 - 5 5/8
15 - 16	5 1/4 - 6 1/4
16 - 17	5 3/4 - 7
17 - 18	6 1/2 - 8

## Tilted Canopy



Canopy Tilted To Direct Rainfall To One Side Only

MANUAL AND ROPE OPERATION

Wing Length (ft.)	High End Deflection (In.)	Low End Deflection (In.)
8	0.5	6
9		6 3/8
10		6 5/8
11		7 1/8
12		7 5/8
12+	NOT RECOMMENDED	

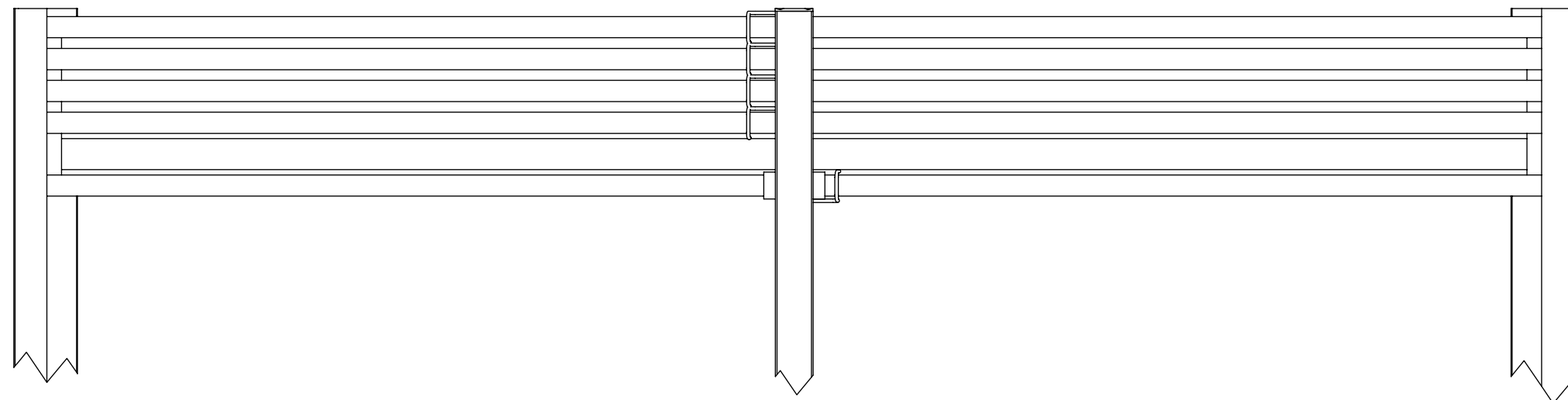
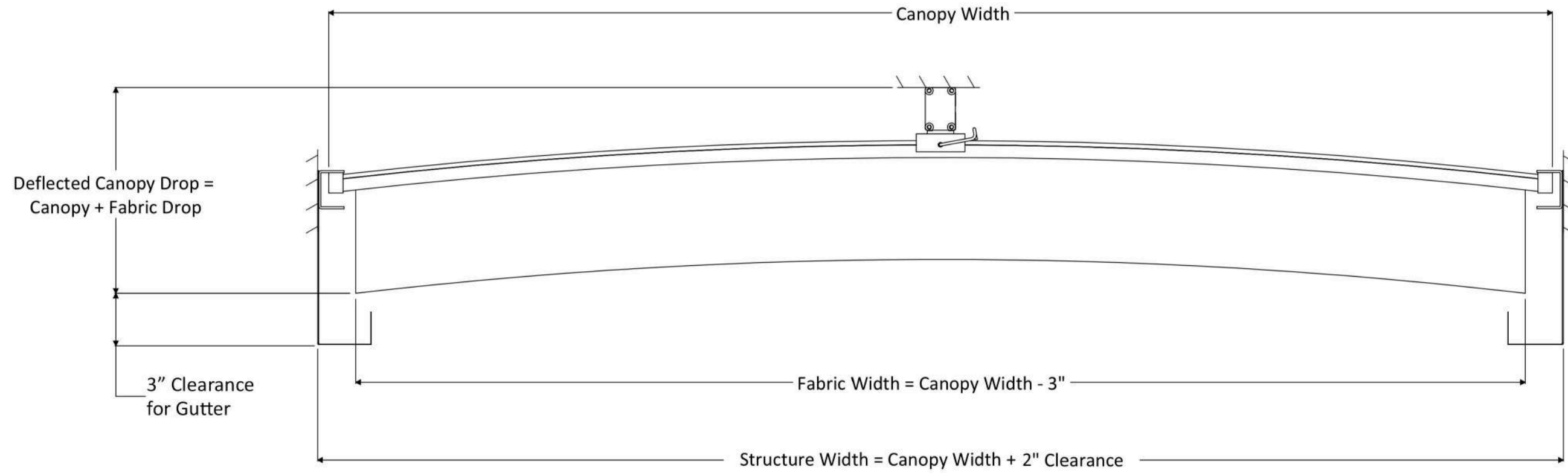
MOTOR OPERATION

Wing Length (ft.)	High End Deflection (In.)	Low End Deflection (In.)
8	0.5	6 1/4
9		6 5/8
10		7 1/8
11		7 5/8
12		8 3/8
12+	NOT RECOMMENDED	



# RAIN MANAGEMENT OPTIONS

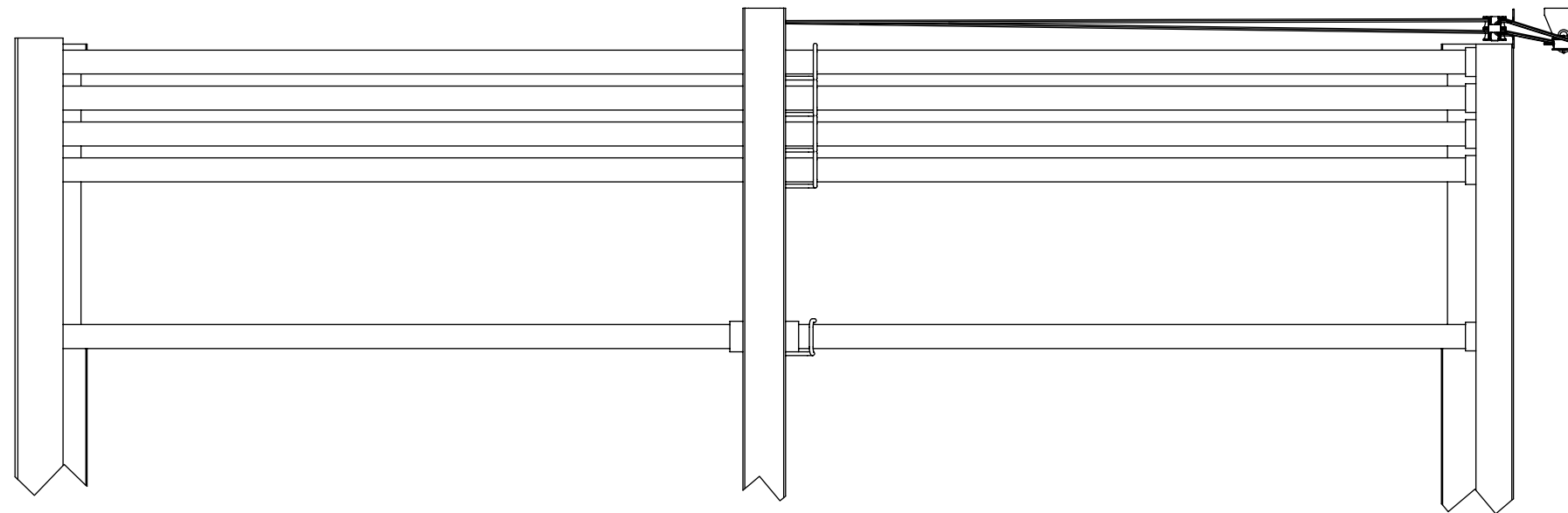
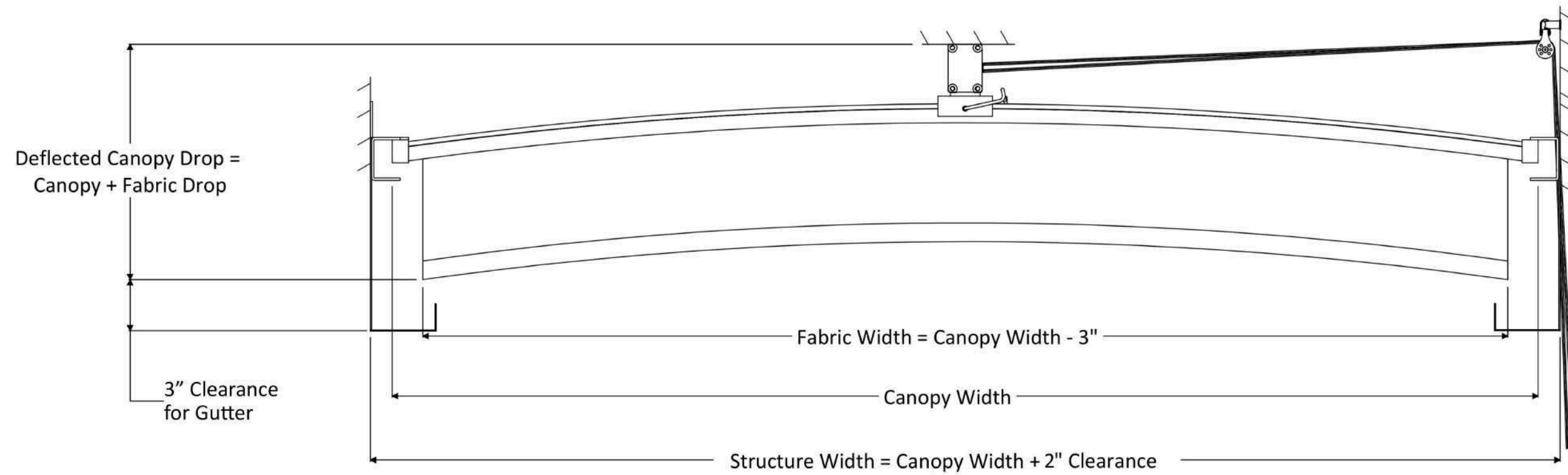
## J-Gutter





# RAIN MANAGEMENT OPTIONS

## J-Gutter



# RAIN MANAGEMENT OPTIONS

## J-Gutter

