

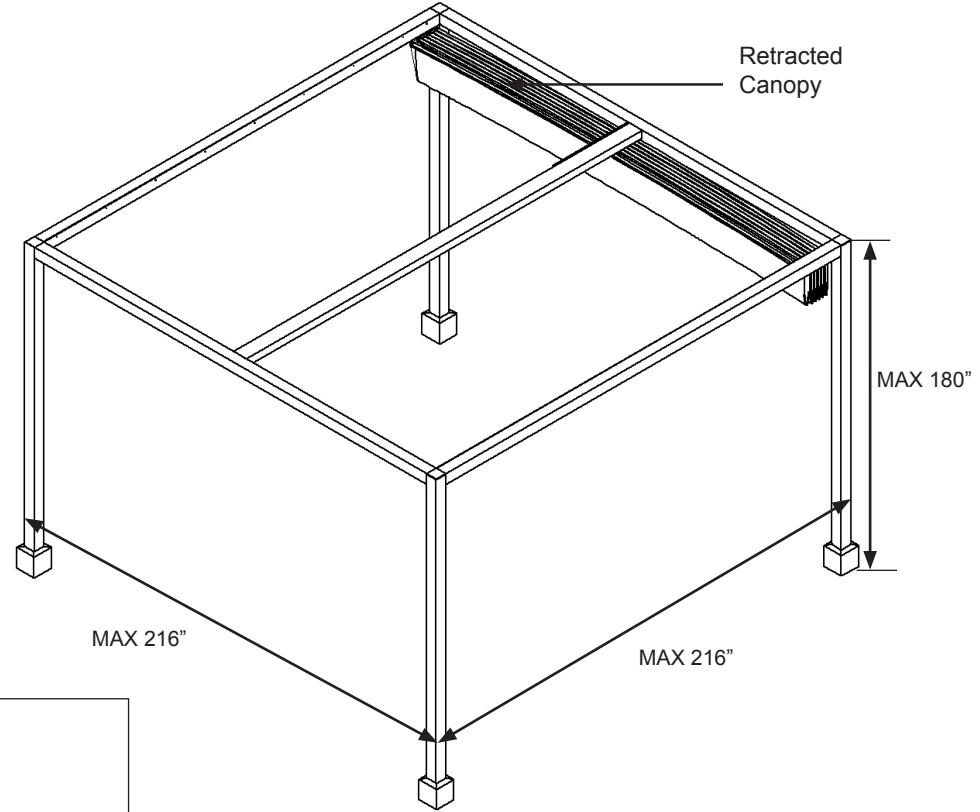
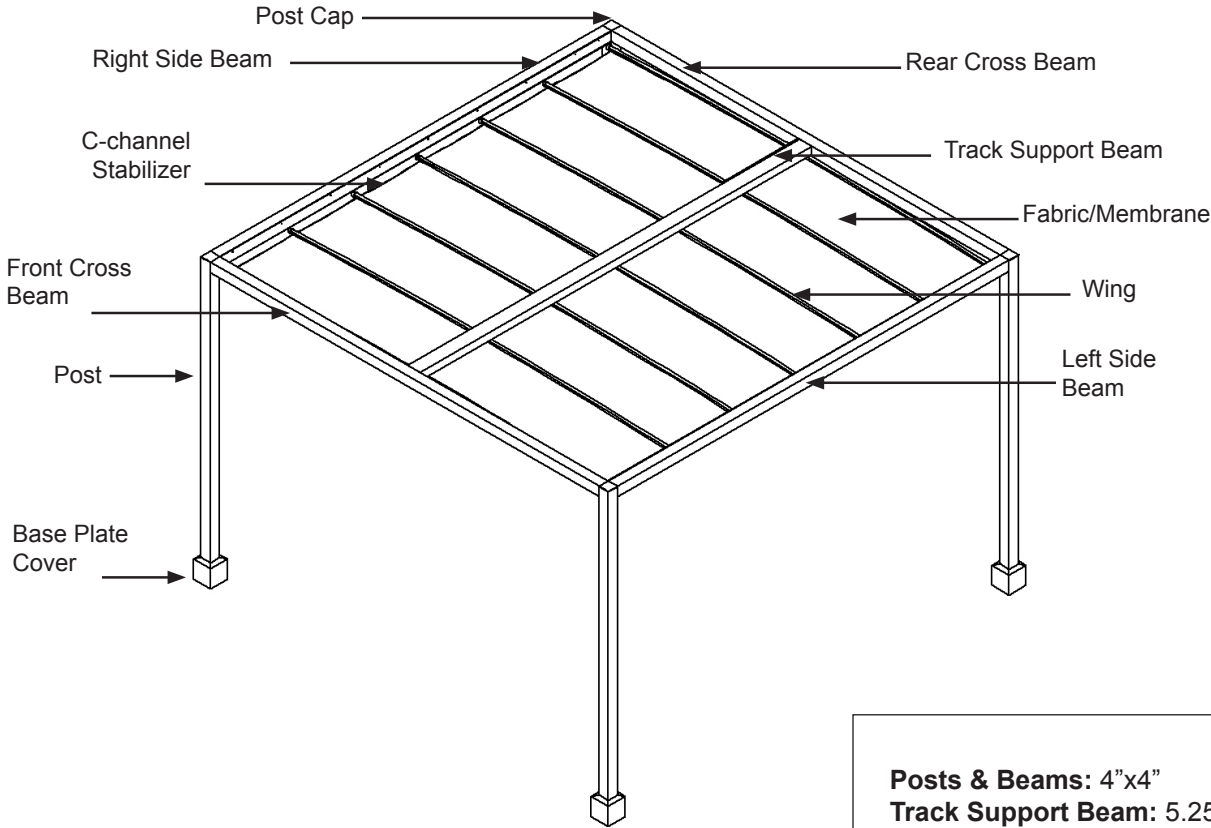


™ ShadeFX™

Technical Information Package

Custom Structures

CUSTOM STRUCTURE WITH RETRACTABLE CANOPY



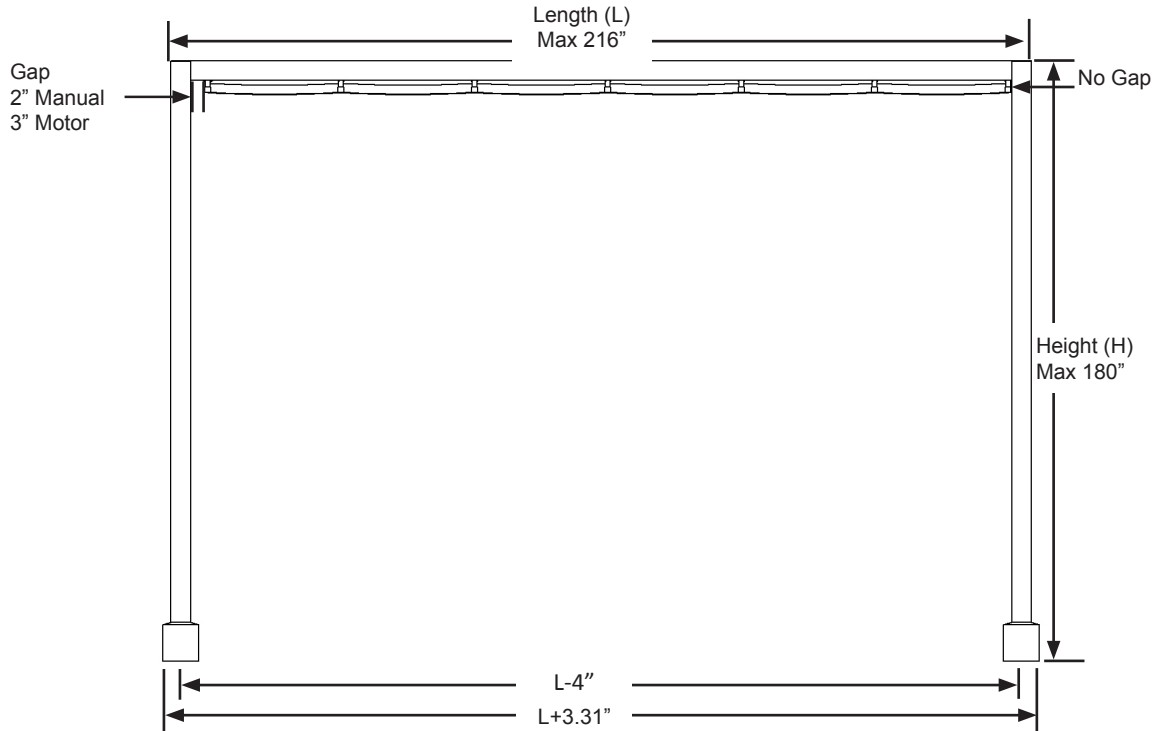
Posts & Beams: 4"x4"
Track Support Beam: 5.25"x3"
Base Plate Cover: 7.31"x7.31"x5.24"

ISOMETRIC VIEW (EXTENDED CANOPY)

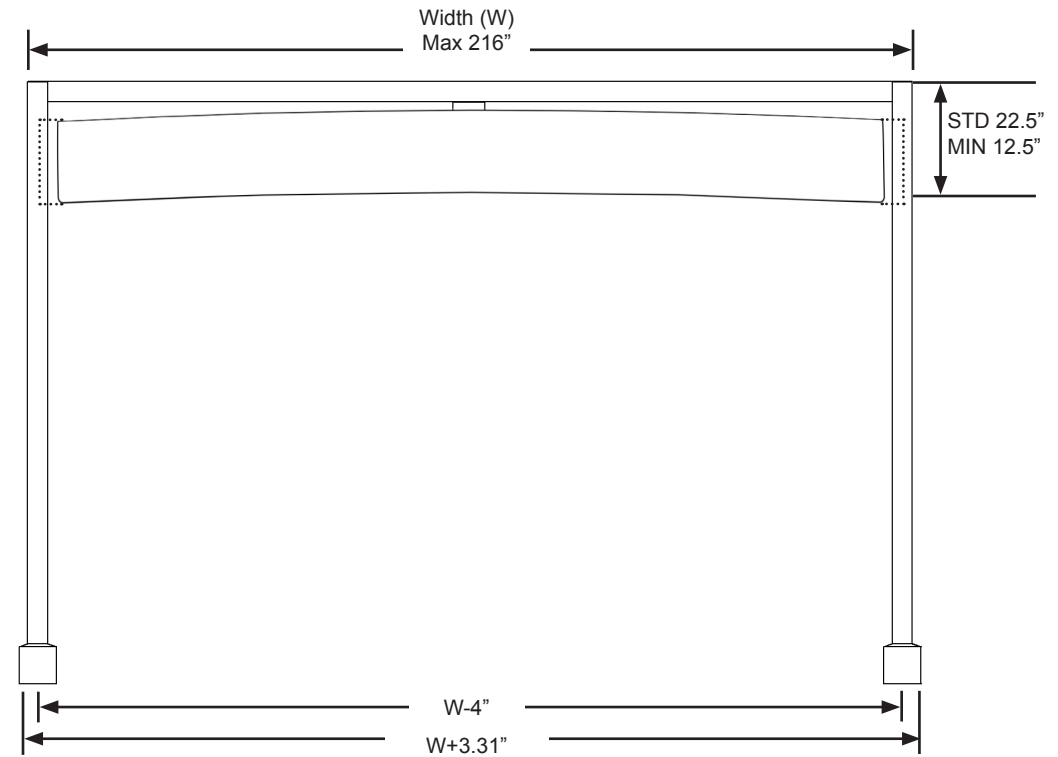
ISOMETRIC VIEW (RETRACTED CANOPY)



CUSTOM STRUCTURE WITH RETRACTABLE CANOPY



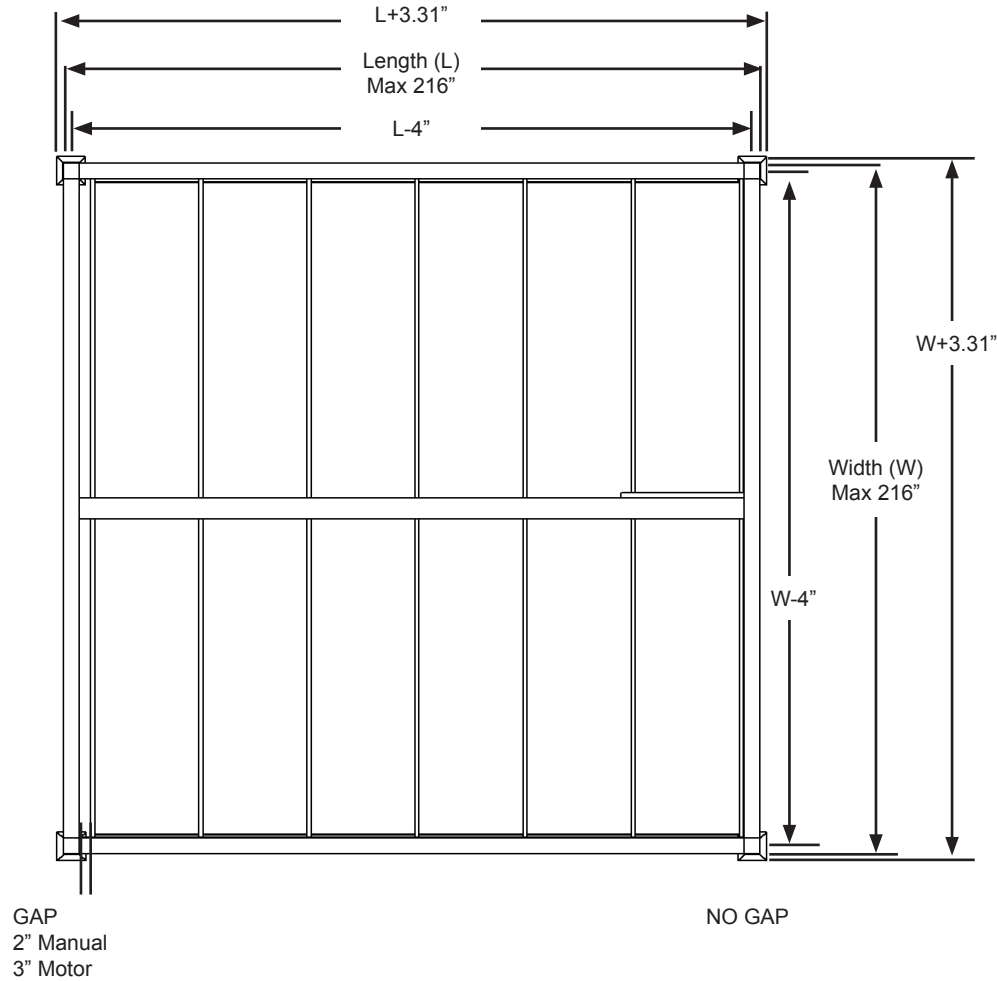
SIDE ELEVATION VIEW (EXTENDED CANOPY)



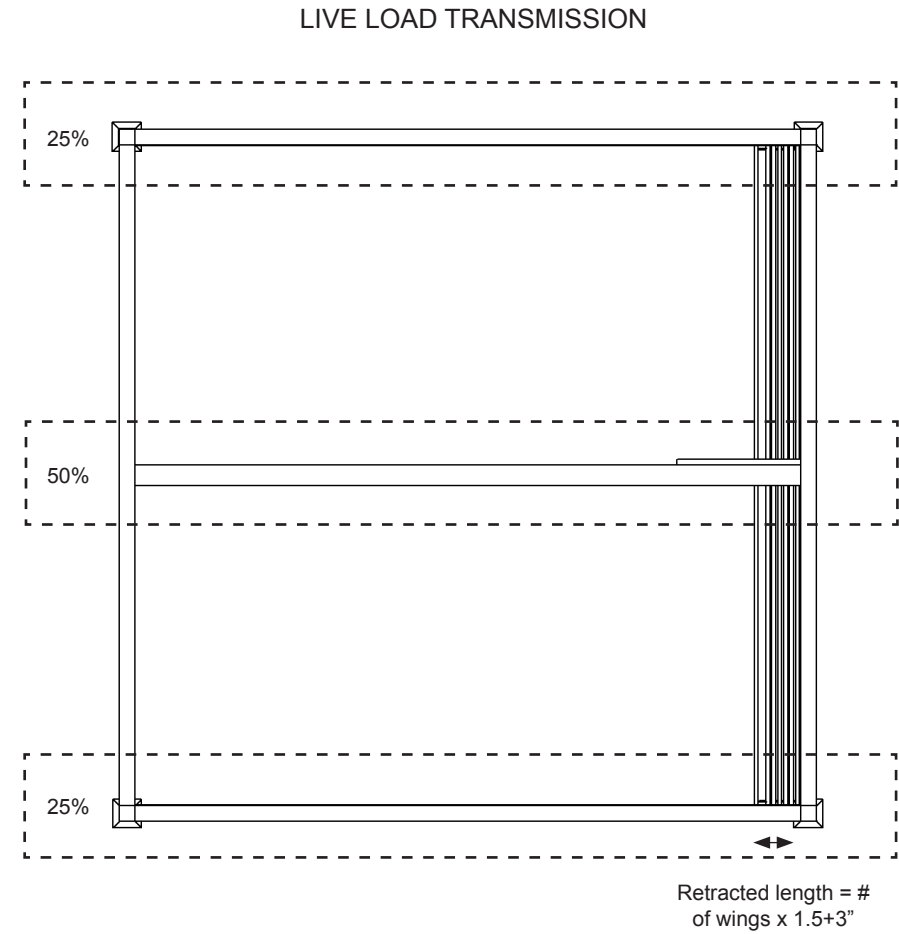
FRONT ELEVATION VIEW (RETRACTED CANOPY)



CUSTOM STRUCTURE WITH RETRACTABLE CANOPY



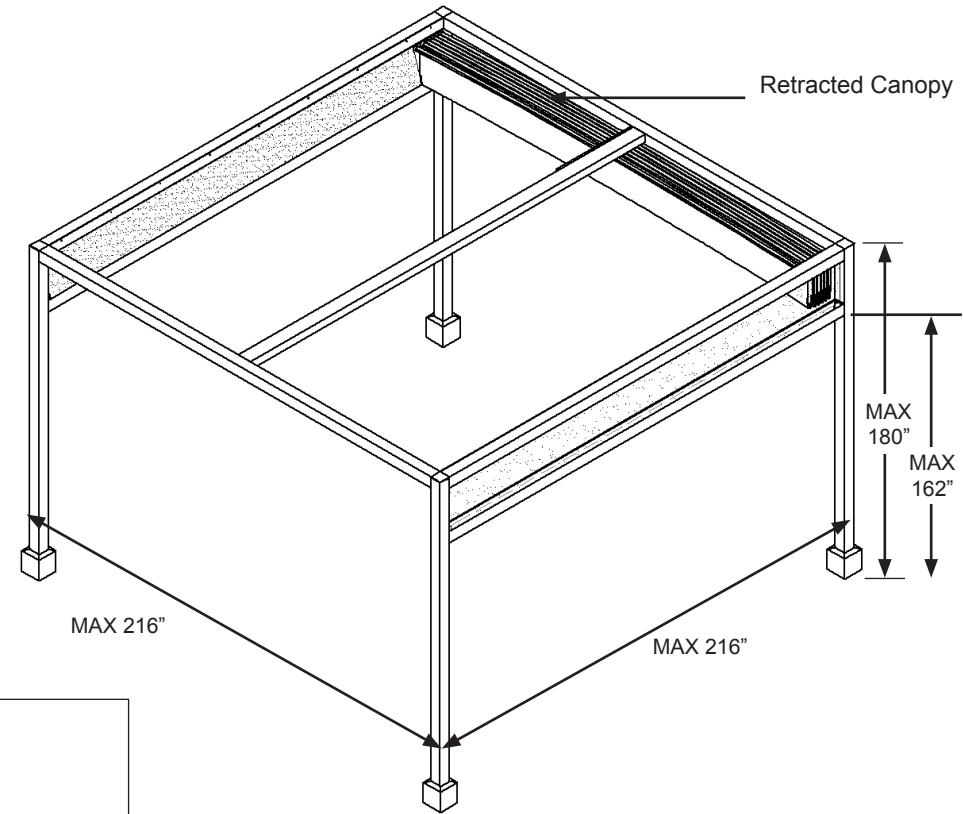
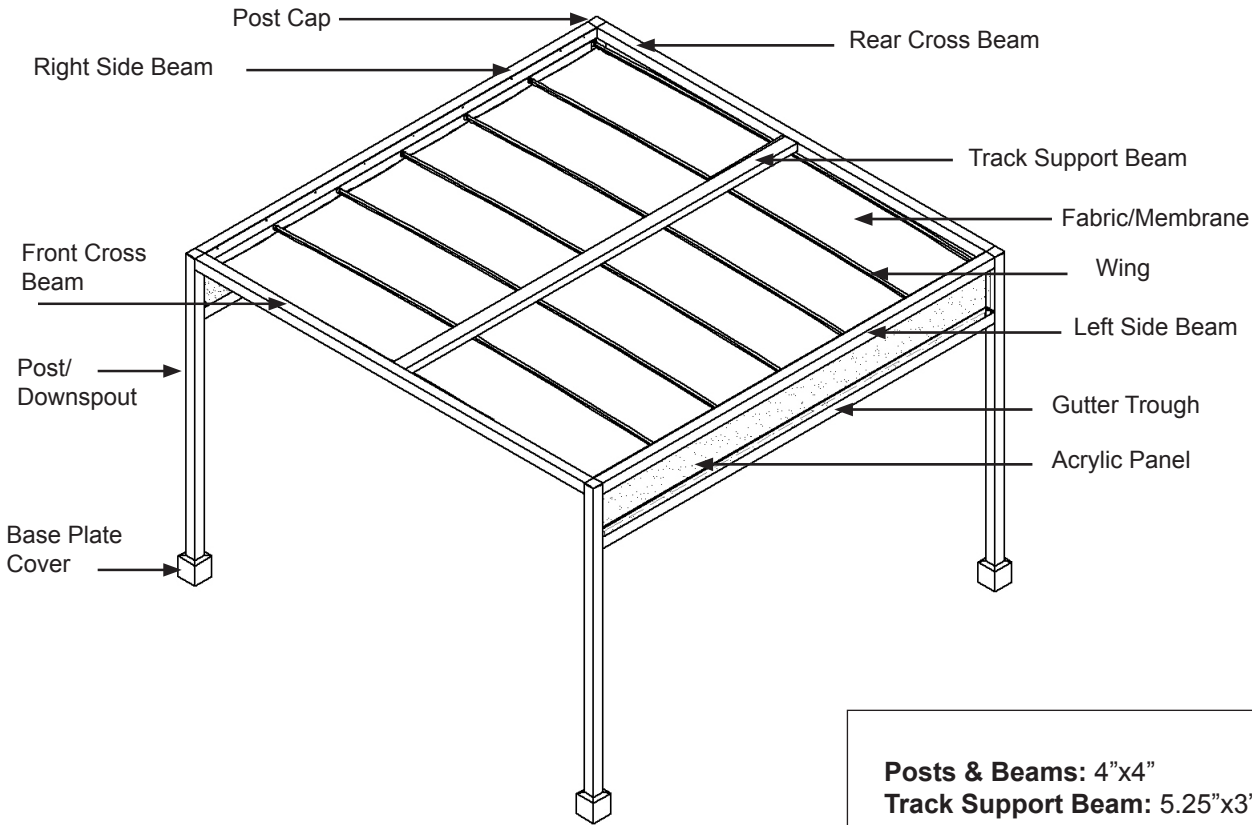
PLAN VIEW (EXTENDED CANOPY)



PLAN VIEW (RETRACTED CANOPY)



CUSTOM STRUCTURE WITH GUTTERS AND RETRACTABLE CANOPY



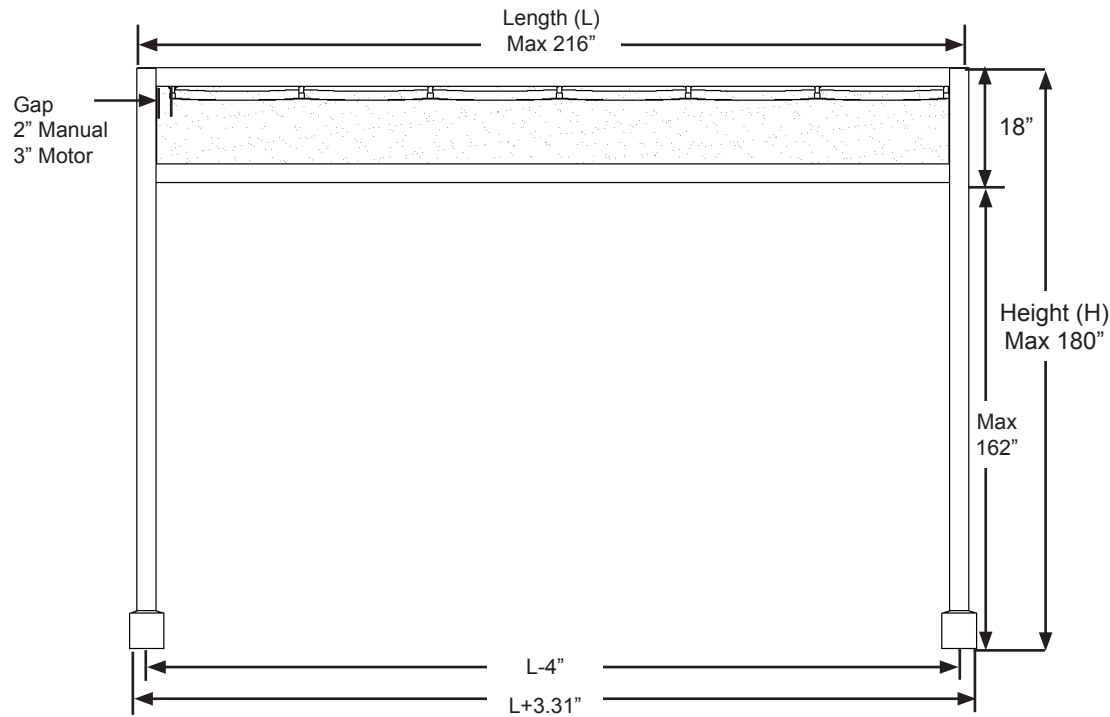
Posts & Beams: 4"x4"
Track Support Beam: 5.25"x3"
Base Plate Cover: 7.31"x7.31"x5.24"
Gutter Trough: 4"x4"

ISOMETRIC VIEW (EXTENDED CANOPY)

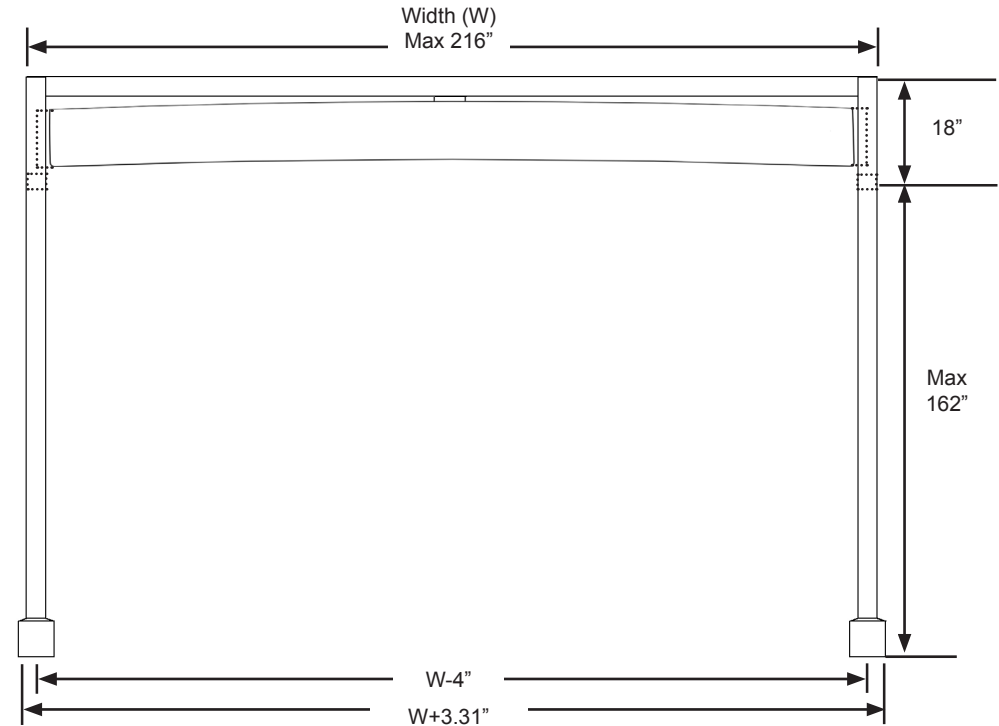
ISOMETRIC VIEW (RETRACTED CANOPY)



CUSTOM STRUCTURE WITH GUTTERS AND RETRACTABLE CANOPY



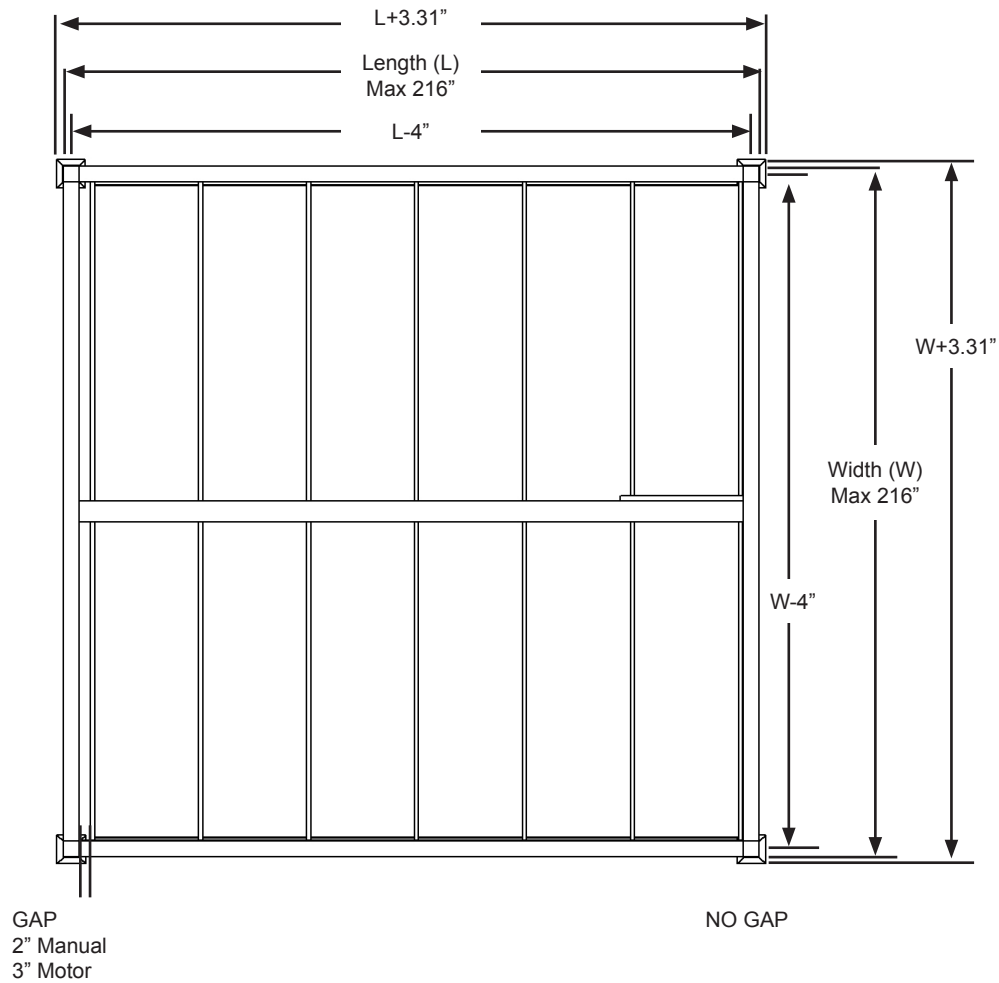
SIDE ELEVATION VIEW (EXTENDED CANOPY)



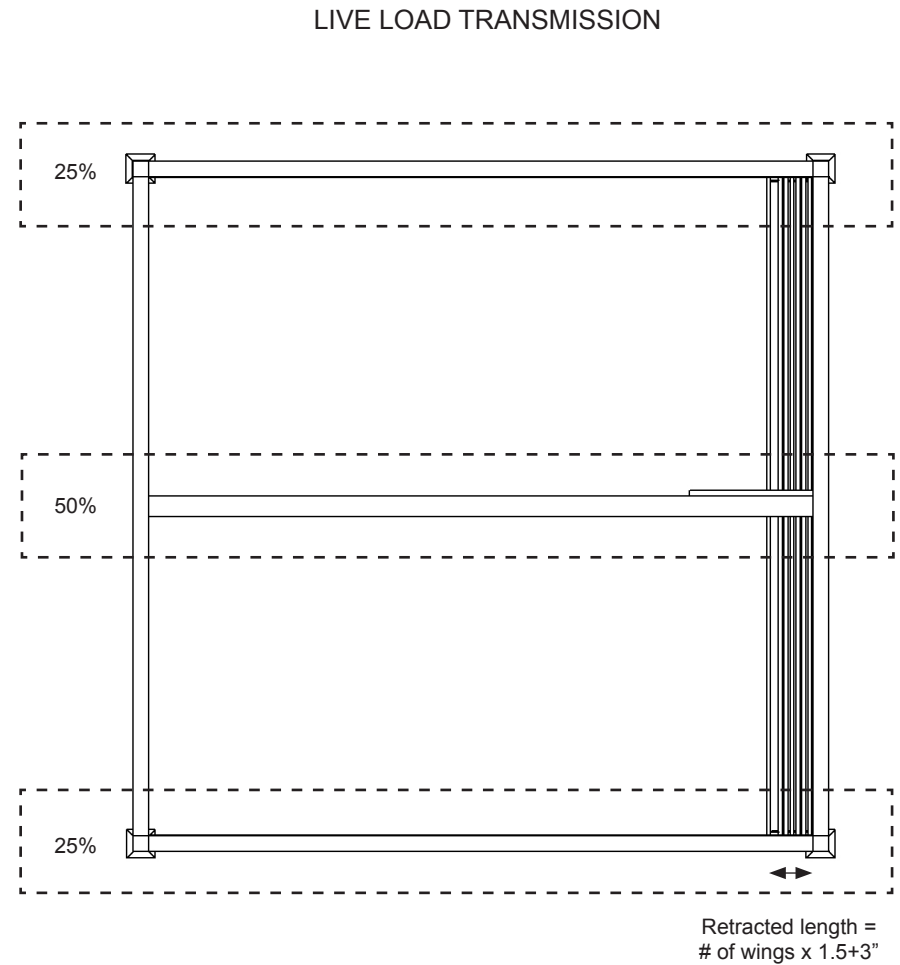
FRONT ELEVATION VIEW (RETRACTED CANOPY)



CUSTOM STRUCTURE WITH OR WITHOUT GUTTERS AND RETRACTABLE CANOPY



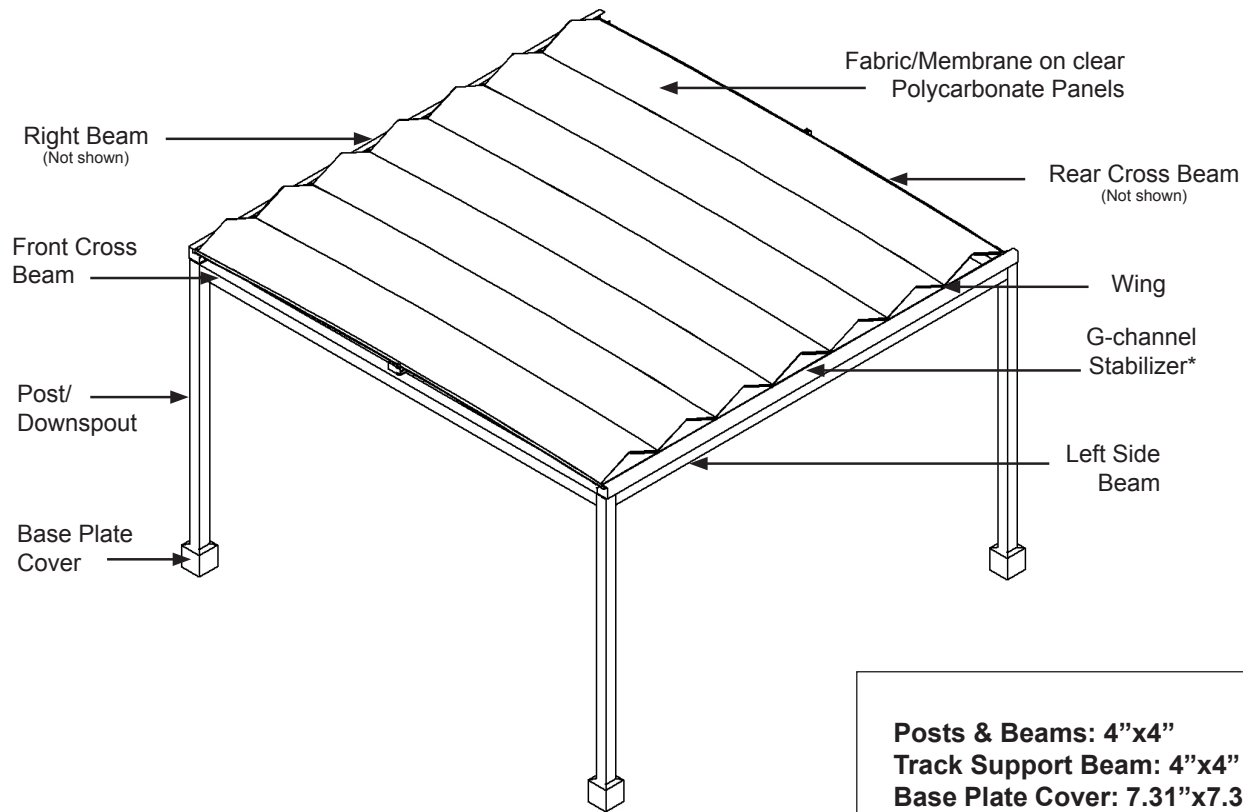
PLAN VIEW (EXTENDED CANOPY)



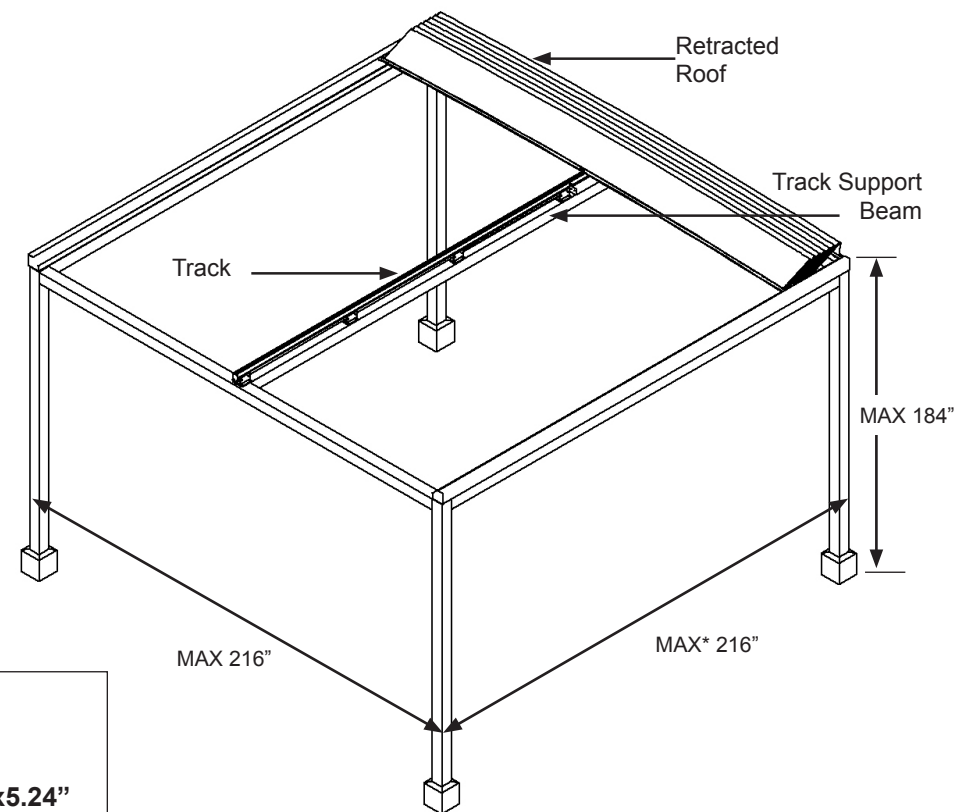
PLAN VIEW (RETRACTED CANOPY)



CUSTOM STRUCTURE WITH RETRACTABLE ROOF



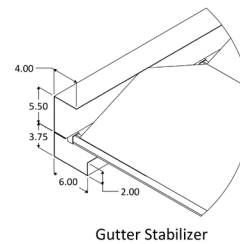
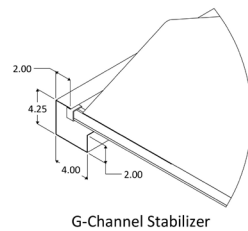
ISOMETRIC VIEW (EXTENDED ROOF)



ISOMETRIC VIEW (RETRACTED ROOF)

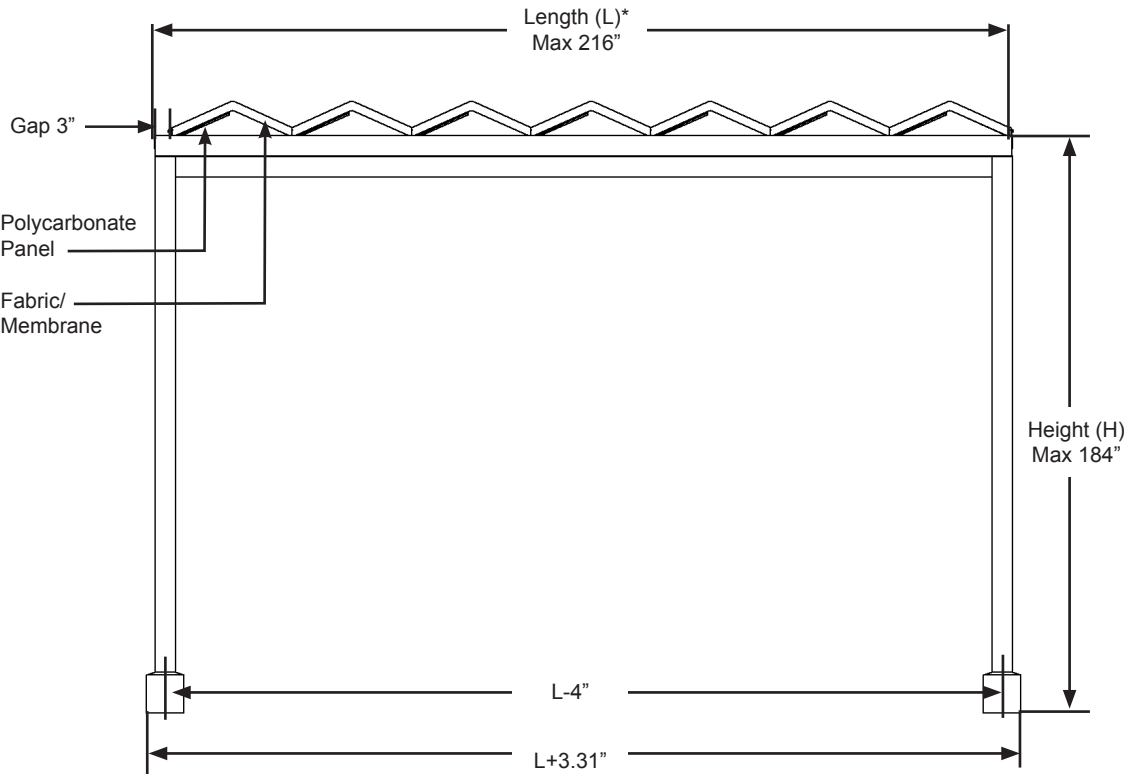
Posts & Beams: 4"x4"
Track Support Beam: 4"x4"
Base Plate Cover: 7.31"x7.31"x5.24"

Stabilizing Options*

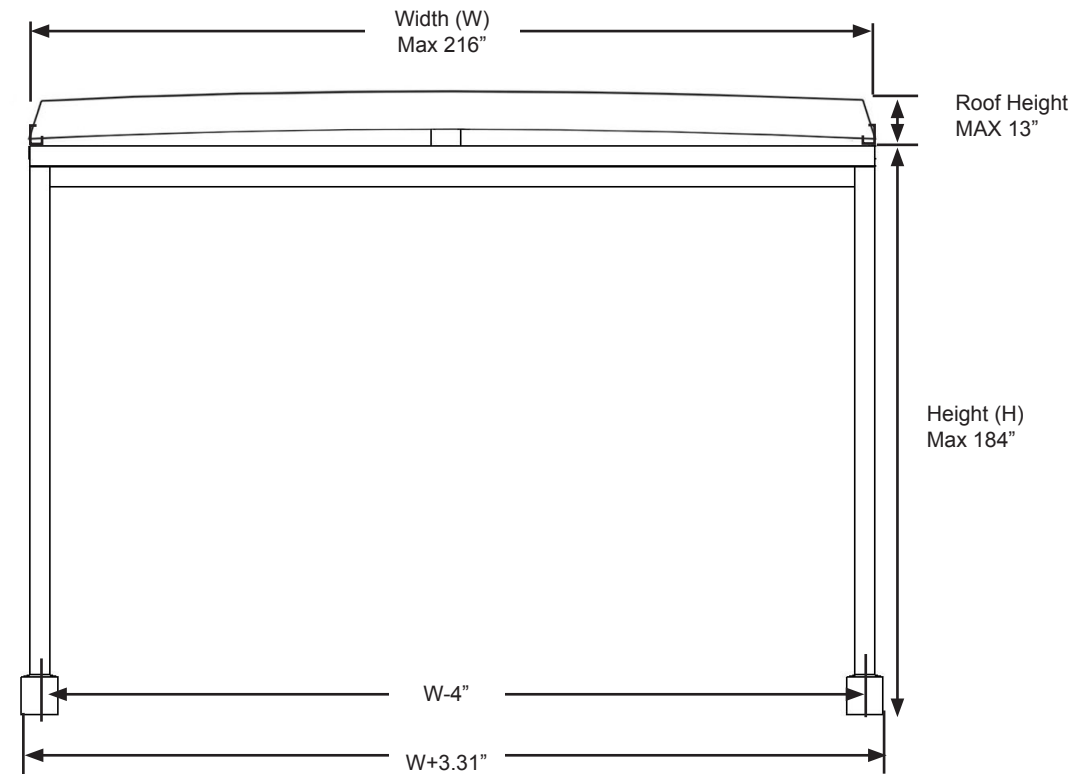


Notice: All drawings, designs, details, inventions, and development covered hereby are confidential, proprietary, and copyrighted by ShadeFX Canopies Inc., which reserves all patents, or other rights hereto. Materials may not be used, copied, or duplicated, in whole or in part, without the expressed written consent of ShadeFX Canopies Inc. Copyright © 2013, ShadeFX Canopies Inc. All Rights Reserved.

CUSTOM STRUCTURE WITH RETRACTABLE ROOF



SIDE ELEVATION VIEW (EXTENDED ROOF)



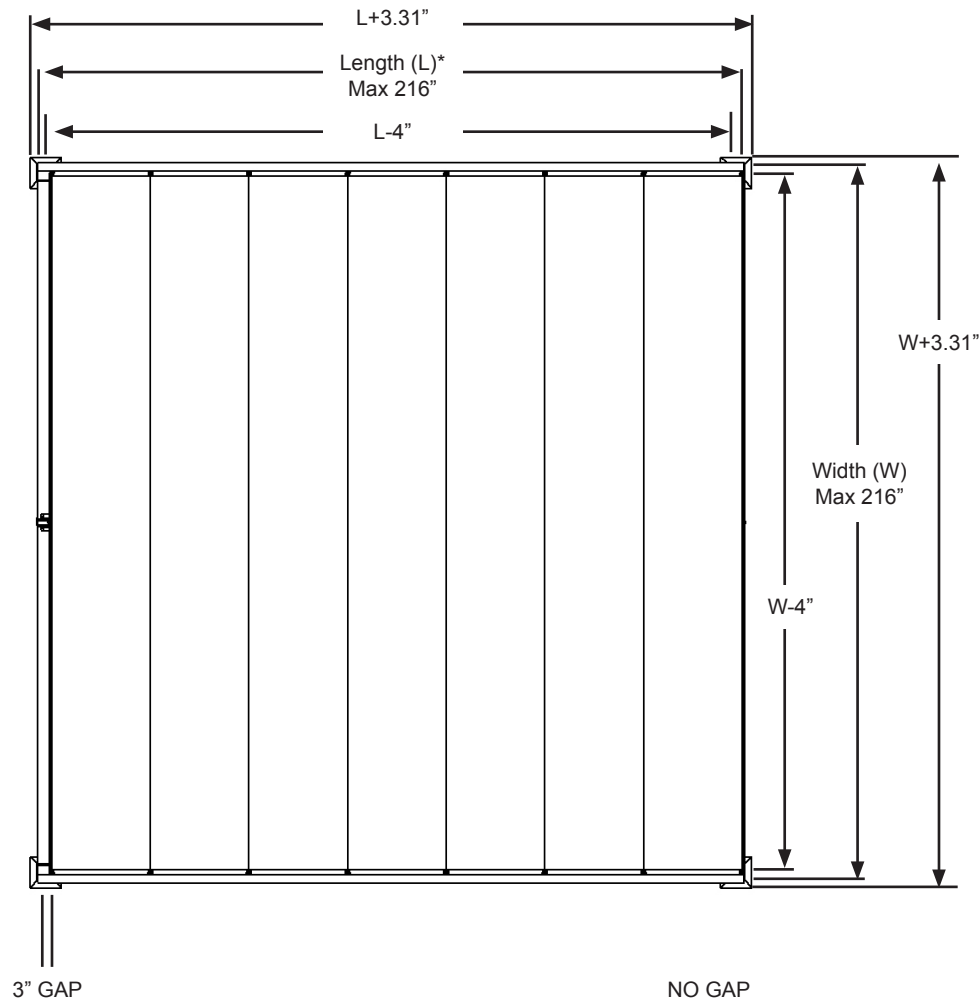
FRONT ELEVATION VIEW (RETRACTED ROOF)

*With 6"x4" Beams the length can be extended up to 240"x216"; 264"x156"; or 288"x120"

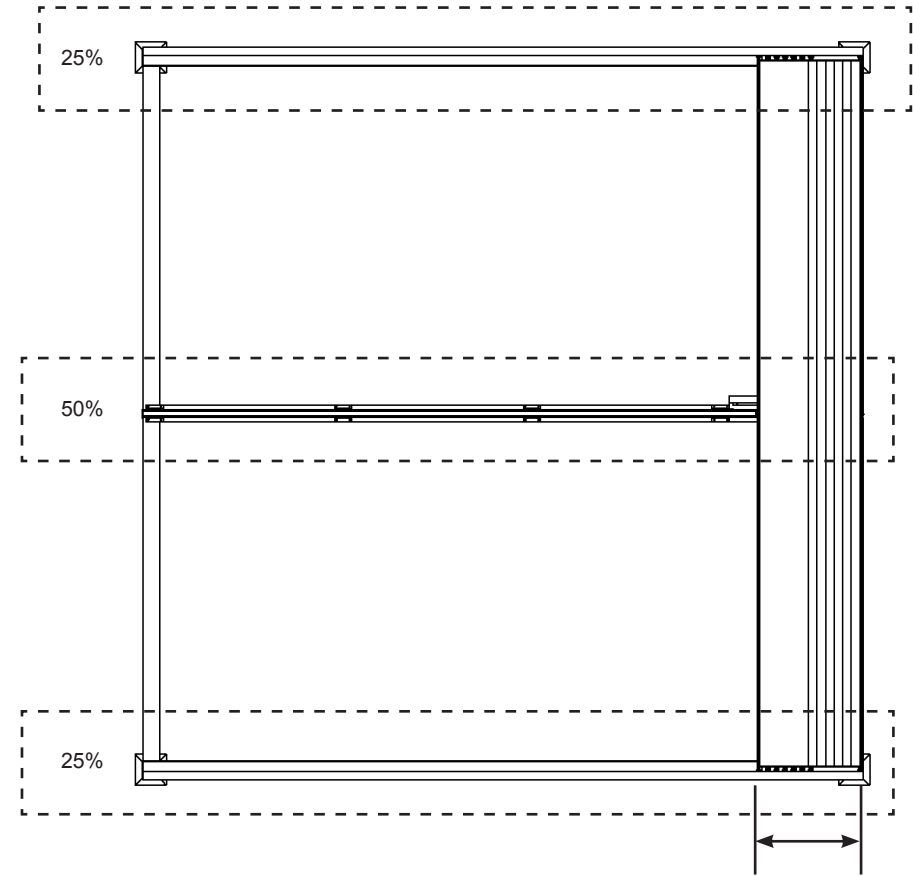


CUSTOM STRUCTURE WITH RETRACTABLE ROOF

LIVE LOAD TRANSMISSION



PLAN VIEW (EXTENDED ROOF)

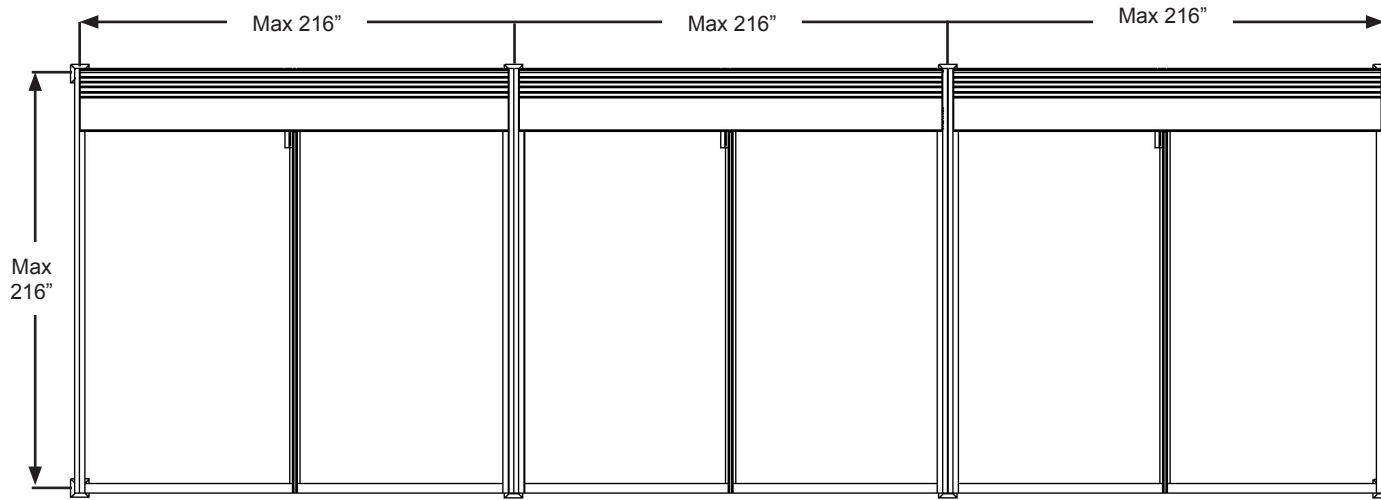


PLAN VIEW (RETRACTED ROOF)

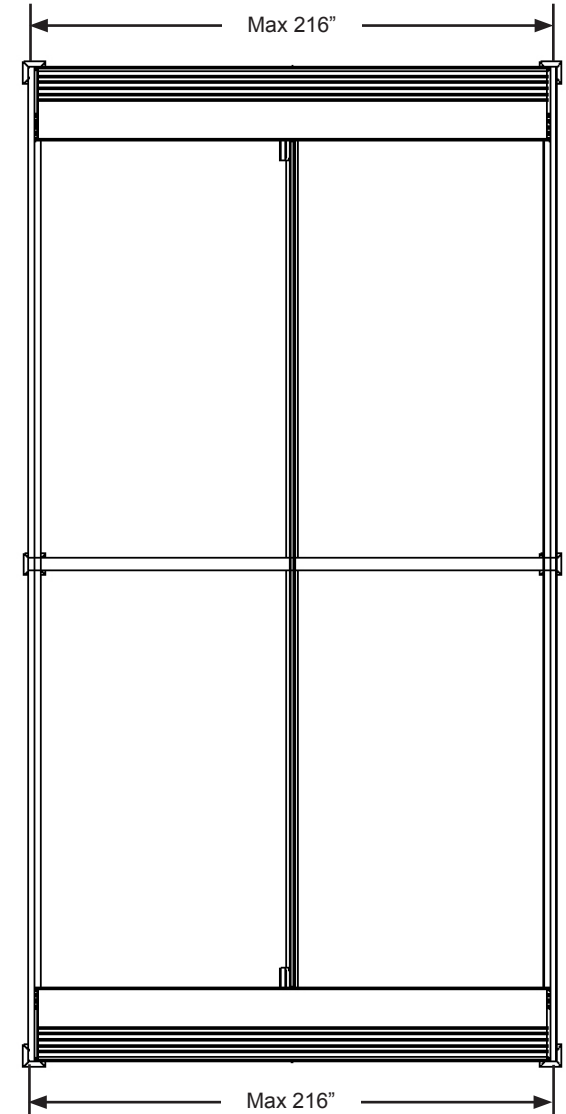
*With 6"x4" Beams the length can be extended up to 240"x216"; 264"x156"; or 288"x120"



CUSTOM STRUCTURE WITH MULTIPLE BAYS



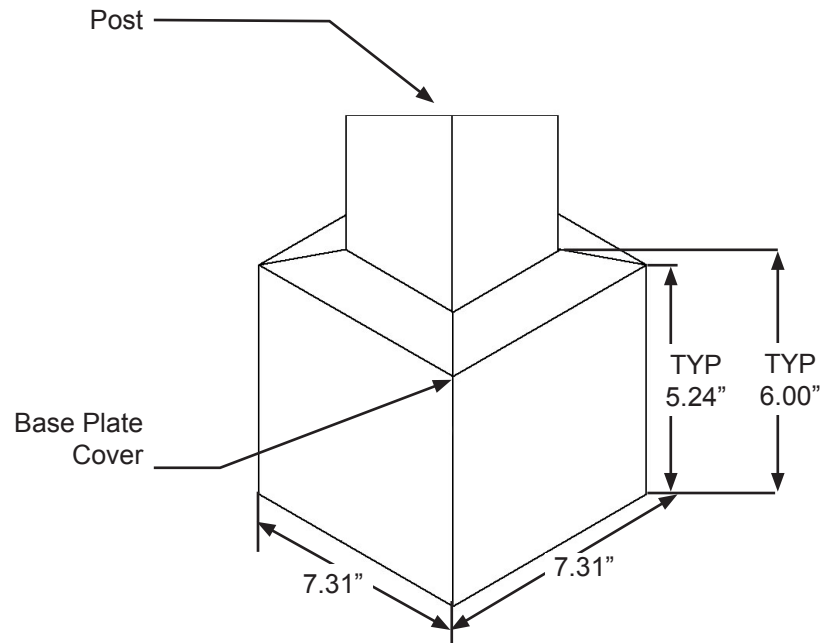
SIDE BY SIDE



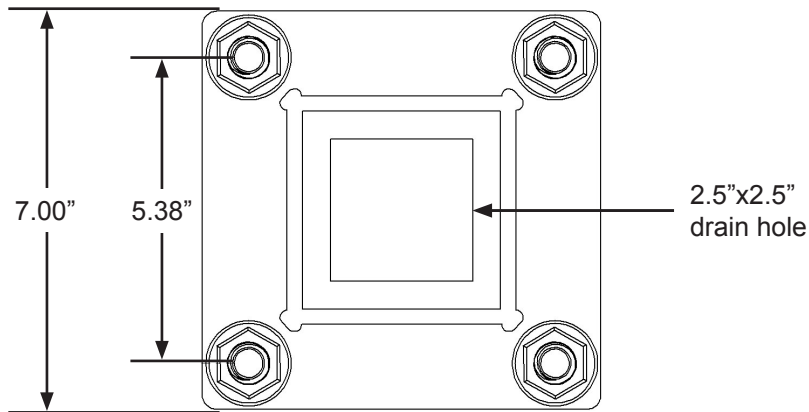
FRONT TO BACK



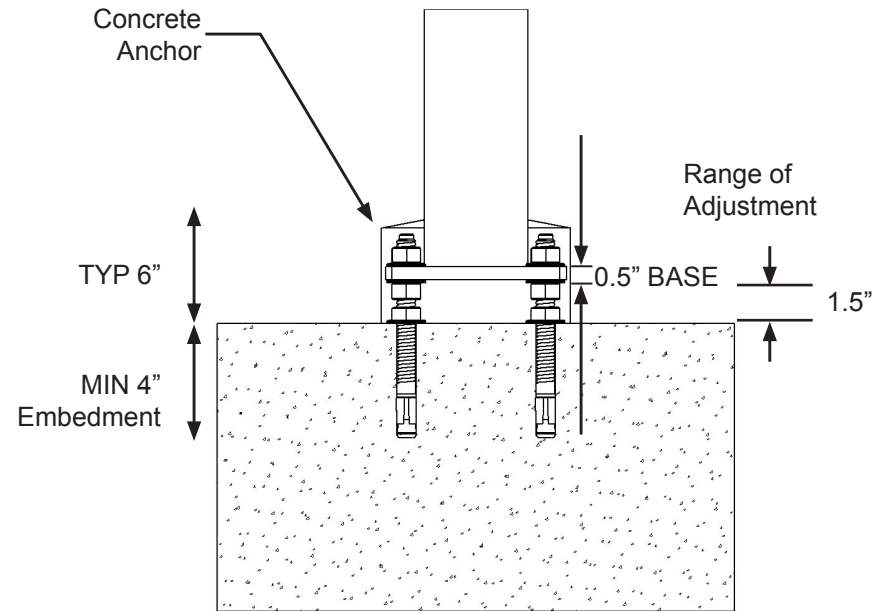
CUSTOM STRUCTURE BASE MOUNTING



Base Plate



TYP CONCRETE ANCHOR



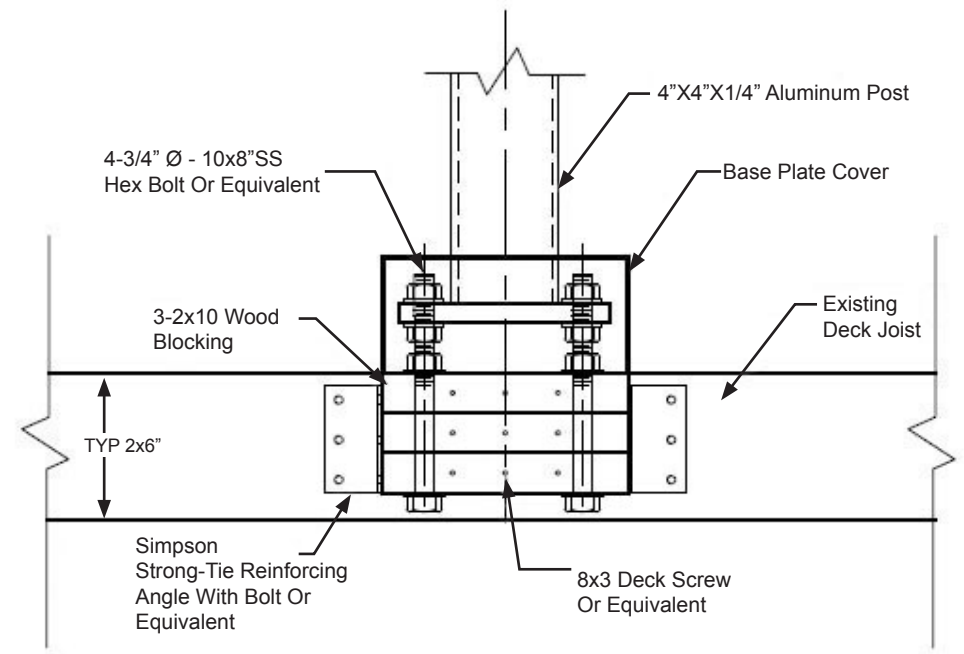
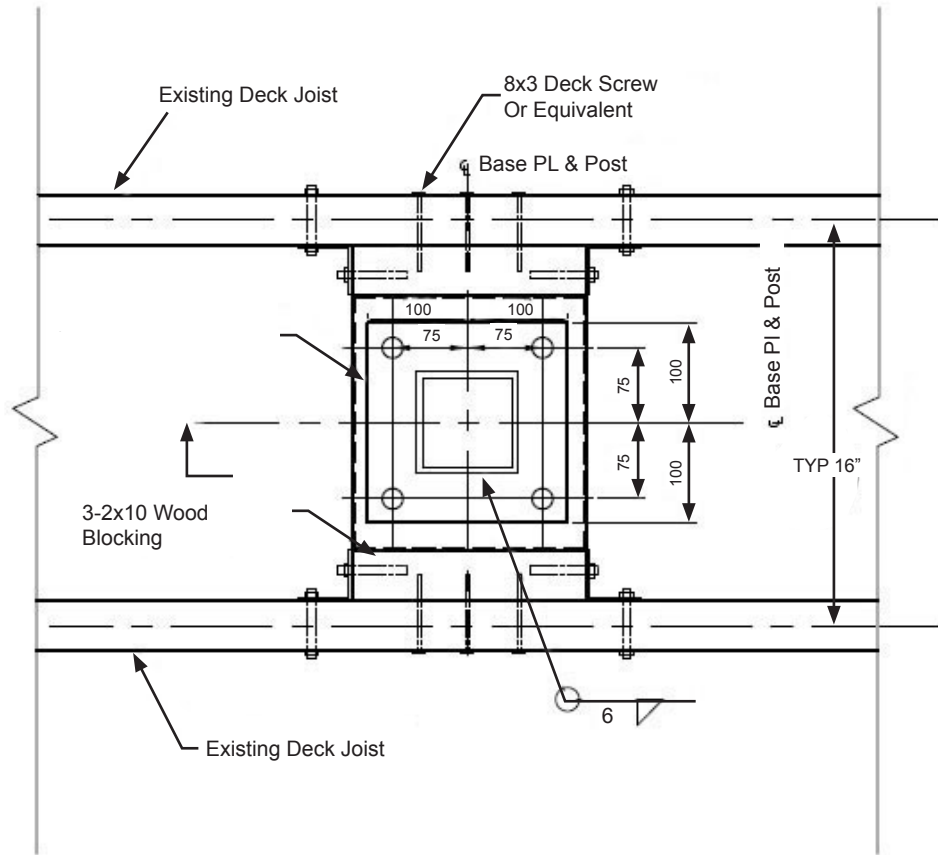
DETAIL MOUNT SECTION

HILTI EXPANDING ANCHORS P/N 378091 TYP
BOTTOM CLEARANCE REQUIRED FOR DRAINAGE



CUSTOM STRUCTURE BASE MOUNTING

TYP DECK ANCHOR

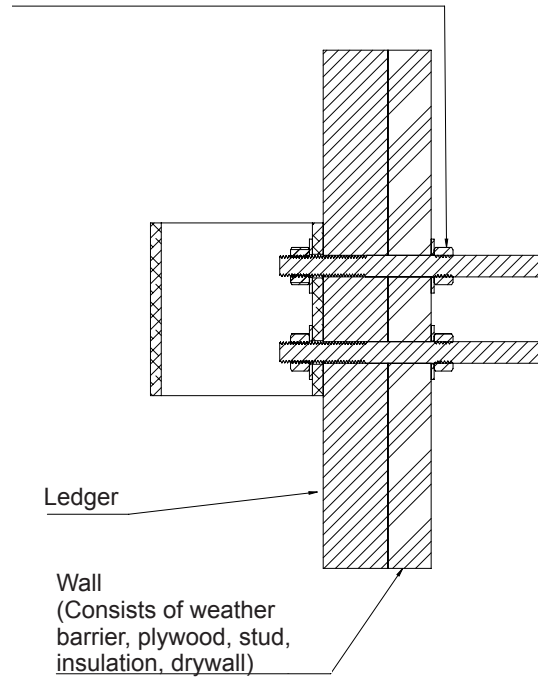


CUSTOM STRUCTURE ATTACHED TO WALL

SUGGESTED ATTACHMENT METHODS FOR TYPICAL WALL*

WALL THROUGH BOLT

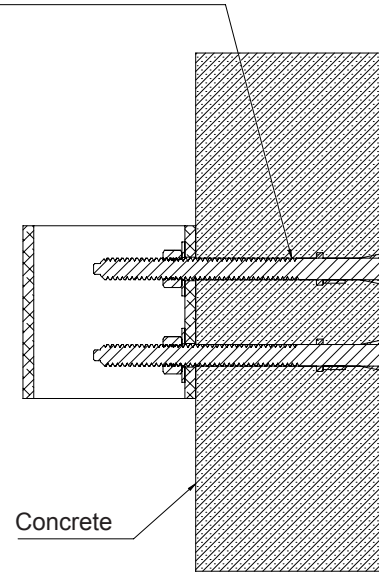
Nut On The Other Side Of The Wall Should Be Installed On To A Structural Member



Threaded Rod Installation Through Ledger And Wall

CONCRETE WALL MOUNT

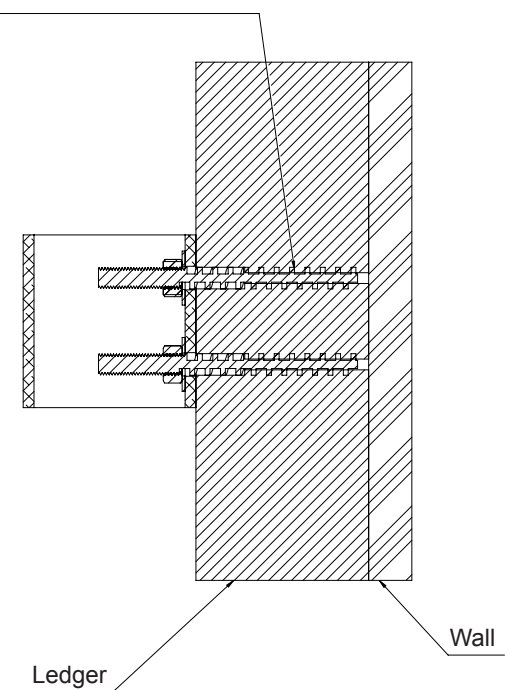
Minimum 4 Inches Of Embedment Into The Concrete



Expansion Anchor Installation Into Poured Concrete Wall

WALL SURFACE MOUNT

Minimum 4 Inches Of Embedment Into The Ledger



Hanger Bolt Installation Into Ledger
*Ledger Attachment To Wall By Others (Not Shown)

*Suggestions only. Client bears full responsibility for any wall attachment complying with local code and appropriate engineering practice.

CUSTOM STRUCTURE SPECIFICATIONS & WARRANTY

SPECIFICATIONS

- Post and beam profiles are 4" x 4" x 1/4" 6063-T6 aluminum or equivalent
- ShadeFX structures designed as per ASCE 7
 - Design wind speed
 - Freestanding structure: Up to 125 mph (location specific)
 - Retractable canopy or roof projected: 35 mph with retraction controlled by wind sensor

TYP DEAD WEIGHT

	lb/ft
POST	4.39
4X4 BEAM	3.31
5.25X3 TSB	4.01
TRACK	1.00

- Freestanding or attached to a building, custom built to 1/8" of desired dimensions.
- Stand alone or connected as multiple bays.
- Minimalist design includes no visible bolts or connections.
- Retractable canopy is manual or motor operation; retractable roof is motor operation only.
- This technical guide is intended for planning purposes only. May not be used for construction, may not be scaled, and is subject to local building codes.
- All information contained herein was current at the time of development but must be reviewed and approved by ShadeFX to be considered accurate.
- For more product information visit www.shadefx.com or contact ShadeFX at 855-509-5509

WARRANTY

Aluminum Structure: 10 year Residential; 5 year Commercial

Fabric/Membrane: 5, 7, 10 year pending choice

Motor: 5 year

