



# TOPSIDE PRODUCT GUIDE



## TABLE OF CONTENTS



Fast Facts for Retailers	2	Installation Instructions	6-8
Features & Benefits, Kit Contents	3	Final Inspection	9
Product Dimensions	4	Maintenance & Warranties	10
Component Dimensions	5	Price List	11
Rain Management	5	Order Form	12

## FAST FACTS

### DELIVERY LEAD TIME

Allow 3 weeks from receipt of order at ShadeFX for your canopy system.

### PARAMETERS OF DESIGN

MAX LENGTH = **40 feet per canopy**  
MAX WIDTH = **30 feet per canopy**

Vertical height from top of pergola rafters (joists) when retracted = **8"**

Stabilizers are provided by ShadeFX. Rain collectors are optional from ShadeFX.

Each kit includes: **1 – Drive Beam**  
**1 – Canopy Assembly**  
**1 – Stabilizer or Rain Collection Kit**  
**1 – Owner's Kit**

### THE DIFFERENCE BETWEEN WEATHERPROOF AND WATER RESISTANT

If the canopy will be relied on to keep things dry underneath for the time of a rain shower, water resistant is suitable. If the canopy is expected to keep things dry underneath during the course of a week or more, our weatherproof fabric is required. **Weatherproof fabrics are not available in patterns, only solid colors.**

### PRODUCT CAPABILITIES

ShadeFX™ was designed to be flexible and adaptable to most if not all structures in need of a shade canopy. Therefore it can be installed in the following ways:

- Horizontally parallel to rafters
- Horizontally perpendicular to rafters
- On a slope to shed rain parallel to canopy wings from 1° to 45°
- On a slope to shed rain perpendicular to canopy wings from 1° to 45°
- With a bow in the wings so they fit the arch of a curved pergola frame (like a barrel vault)

- In a multiple canopy arrangement to cover areas larger than 40' X 30'

### WHY SHADEFX™, WHY NOW?

Over the years, homeowners and businesses have moved their attention to an outdoor lifestyle, where patios and decks have grown in size and sophistication. Decks now commonly run the full length of the house and have multiple levels, including built-in hot-tubs, outdoor fireplaces and are accessorized with expensive furniture and even complete outdoor kitchens. The deck has become a key entertainment centre for many families, while the health threat of cancer from UV exposure has increased. This has created a demand for shade products to go with the decks as evidenced by the continued growth of the shade canopy market.

Only ShadeFX™ uses the patented single track actuating mechanism. Patent [www.shadefx.com/patent](http://www.shadefx.com/patent)

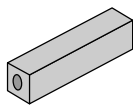
## FEATURES

- Patented Single Track Operation
- Operated by Rope or Motor
- Mounts above rafters (joists) and clears all frame elements
- Patent pending polycarbonate fabric support
- System gutters collect 100% of rain runoff
- Covers areas up to 40' long X 30' wide with single canopy

## BENEFITS

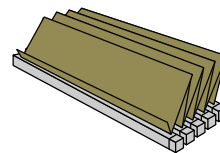
- Eliminates need for track alignment
- Affordable or convenient operation options
- Universal ease of installation. Can mount to any frame and cover to its full perimeter or extend beyond post dimensions
- Rain runoff is directed wherever you wish
- One continuous cover protects large areas
- Easily adapts to sloped frames including fixed awning frames

## KIT CONTENTS



### MOTOR ASSEMBLY

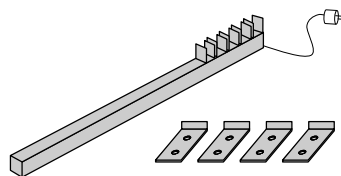
May be integral to track on smaller systems. Is separate from track on larger systems requiring direct drive. Comes with hand held remote.



### CANOPY ASSEMBLY

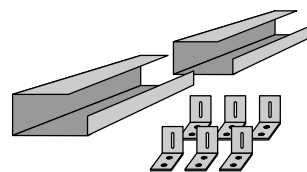
Includes wings, patent pending polycarbonate support panels and fabric canopy itself. Handle with great care. Large canopies should be installed with the assistance of a drywall or scissor lift as canopies can weigh up to 500 lbs. Keep fabric portion up when handling.

\*SHOWN REVERSED AND READY FOR INSTALLATION. SEE CANOPY UNPACKING GUIDE.



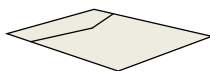
### SINGLE TRACK ASSEMBLY

Comes with mounting brackets. Uses continuous rope loop for manual operation. Toothed belt or cable operation for motorized systems depending on size. May come in two pieces to be spliced on installation. Larger systems requiring direct drive. Comes with hand held remote.



### STABILIZER RAIN COLLECTORS

Come in multiple pieces. Minimum of two per system. Seal seams with butyl tape provided in hardware kit.



### OWNER'S KIT

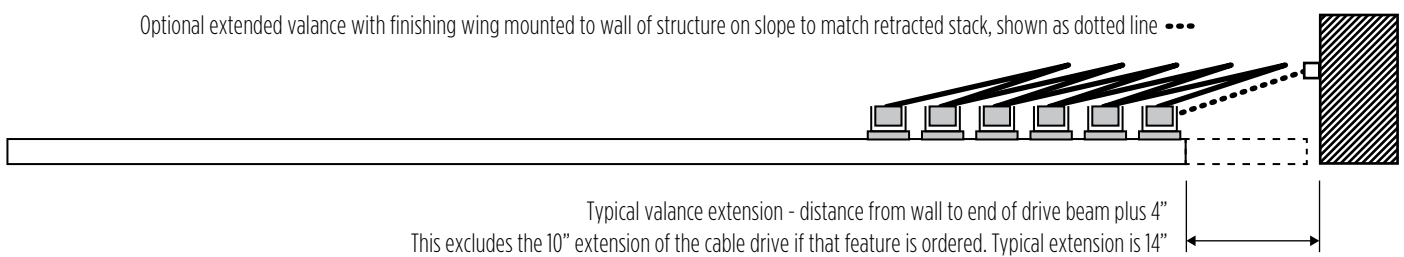
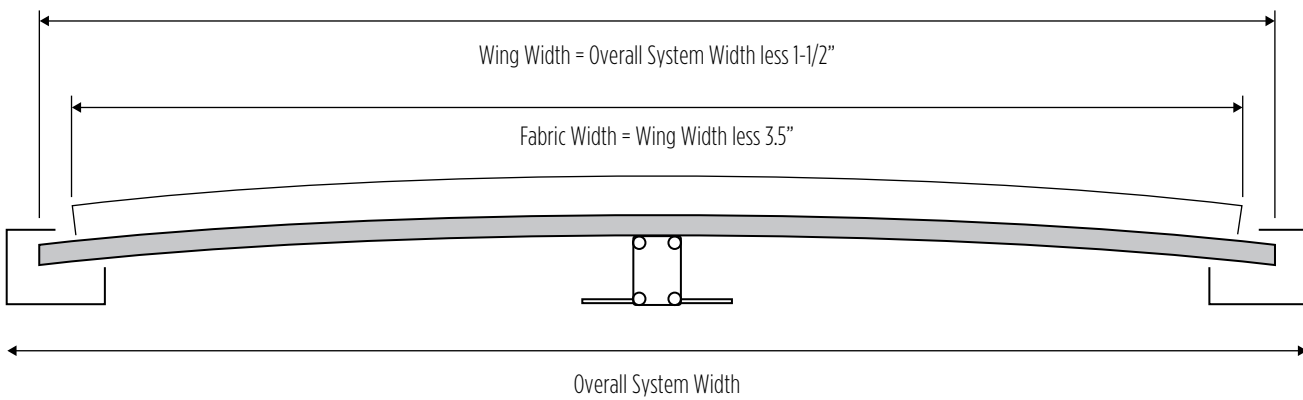
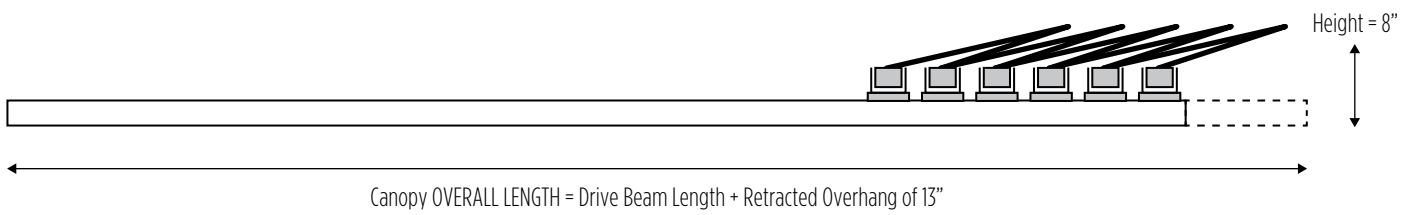
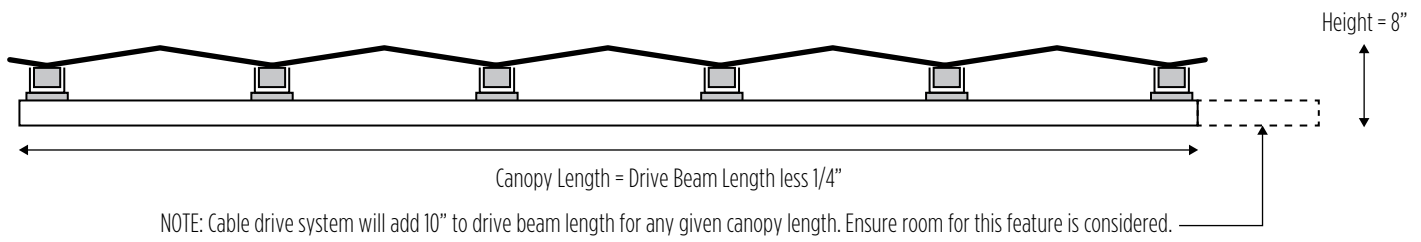
Including this document, welcome Letter, hardware kit, and butyl tape seal

## TOOLS REQUIRED

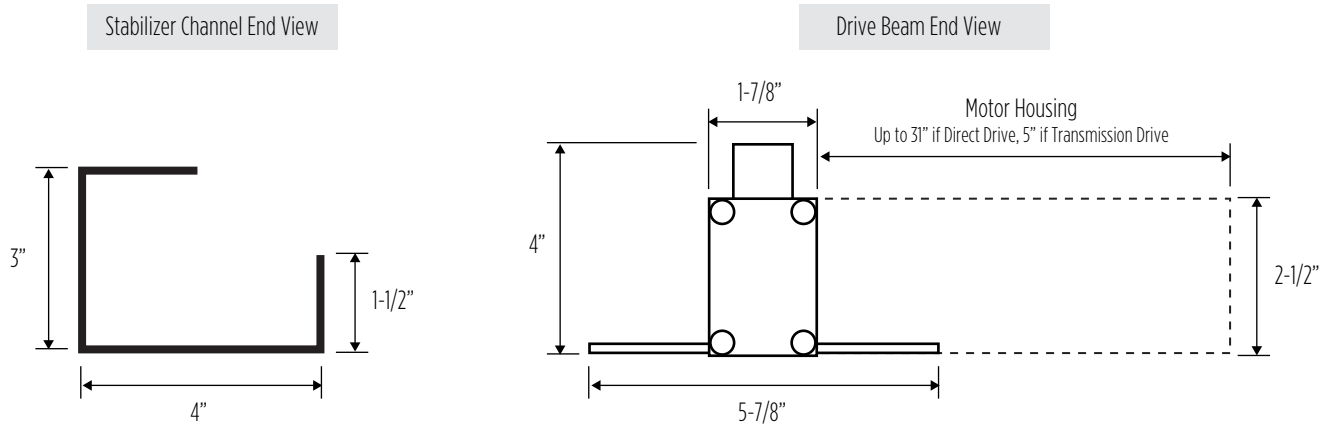
- ① Power Drill
- ② #2 Robertson (square) extended bit and 7/16" socket
- ③ 7/16" wrench
- ④ 2 ladders

Follow all safety guidelines for working on ladders. Always install with two or more individuals.

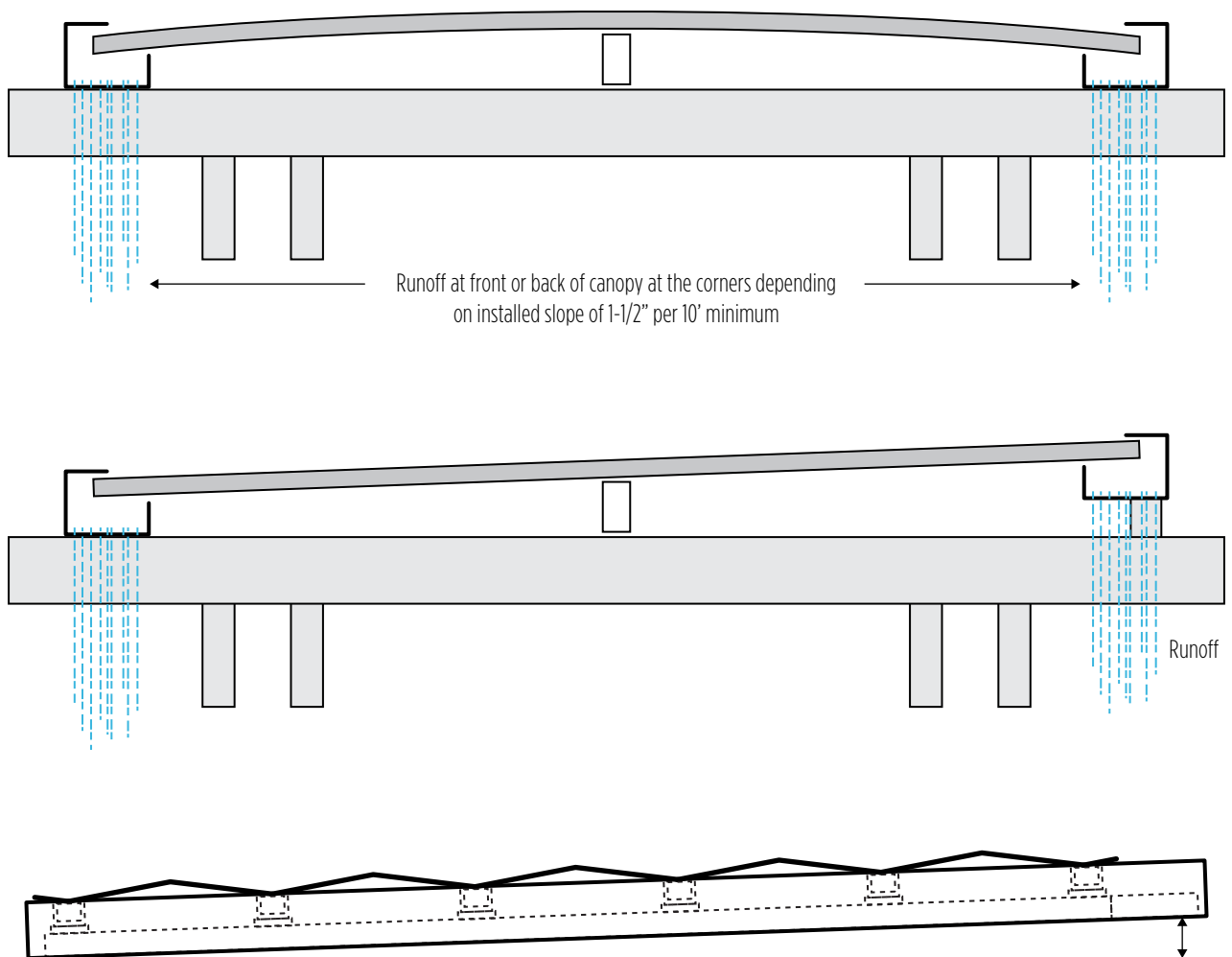
# PRODUCT DIMENSIONS



## COMPONENT DIMENSIONS



## RAIN MANAGEMENT

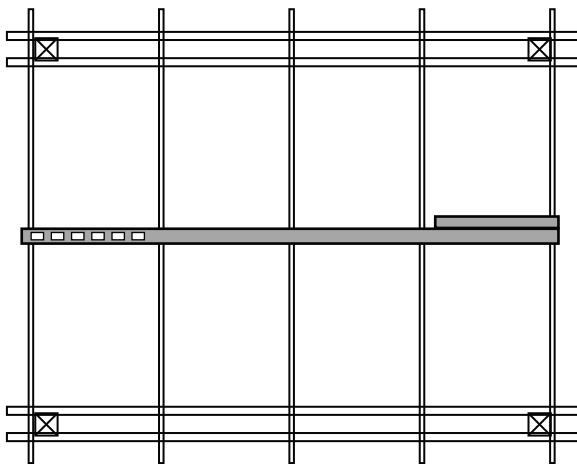


## INSTALLATION: TRACK

### Before You Start:

Side to Side Drainage: Ensure the wing at the track is higher than the wing at the stabilizer

Front to Back Drainage: Ensure the stabilizer has 1.5" of slope at the retracted end (offset) for every 10" of drive beam



Whether you've selected the rope or motorized system, the installation method for the track is the same.

Shim to tilt as needed for drainage. Use the track mounting brackets provided to secure the bottom channel of the track to the rafters or purlins of the pergola. The slot in the track accepts either the straight edge or the bent edge of the bracket. You use the angled edge when the track is parallel to the rafter and the straight edge when the track is perpendicular to the rafters. (see A & B)



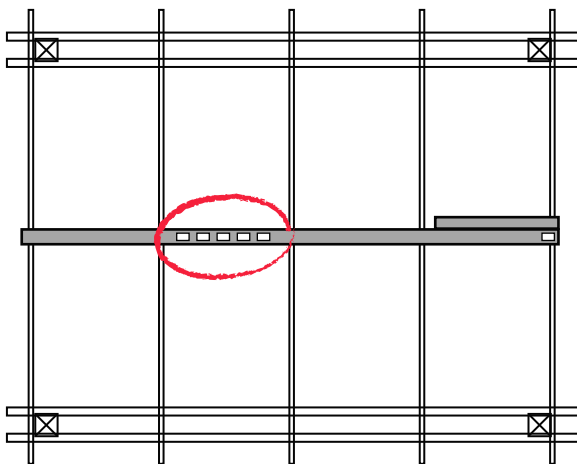
**A**  
PARALLEL



**B**  
PERPENDICULAR



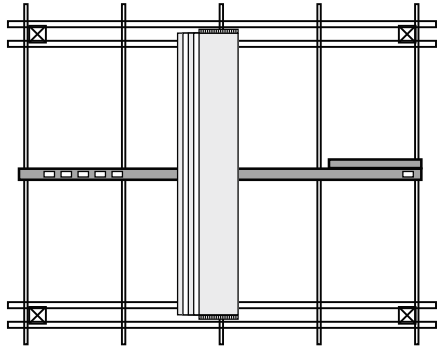
**C**  
RAISED FOR GUTTERS



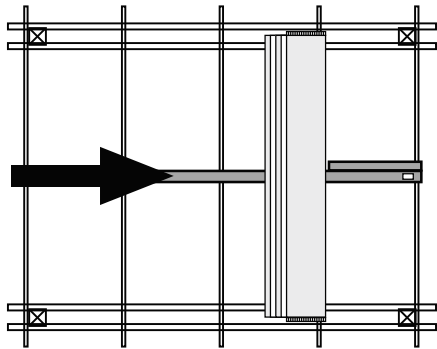
Plug in the motor and operate the canopy to bring the carrier bearings to the middle of the track. This allows room behind the carrier bearings for the canopy to be located and ready for attachment.

## INSTALLATION: CANOPY

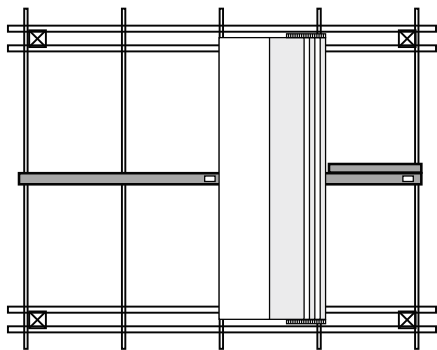
➤ Consider protecting the canopy assembly in the shipping tube until it is on top of the structure



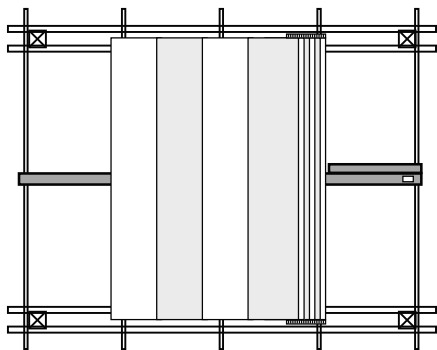
Follow “Unpacking Your Topside Canopy” instructions which are included in this package. Balance the canopy on the track and align the holes in the wings with the middle of the track.



You may retract the motor at this time to slide the canopy assembly along the track the middle of the track to a convenient location to work on. At this point, all of the canopy wings should be rested on the track, with the fabric supports pointing towards the back, and the canopy wing holes lined up in the middle of the track.

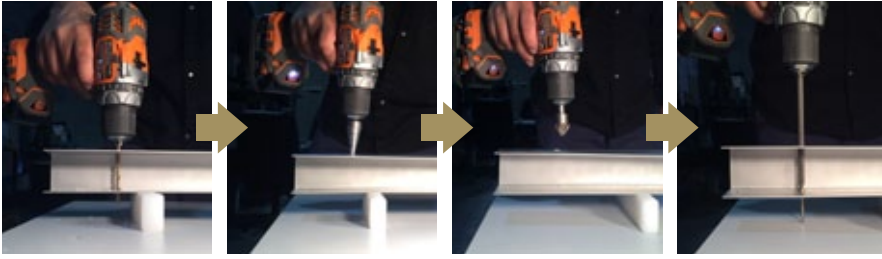


Leapfrog the front wing over the carrier bearings being careful to avoid the exposed corners. Rest the wing in the front carrier bearing, align the cross drilled holes, and cross pin the wing in place using the bolt and nut provided. Tighten the bolt and nut so that the wing will still move inside the carrier bearing bracket.

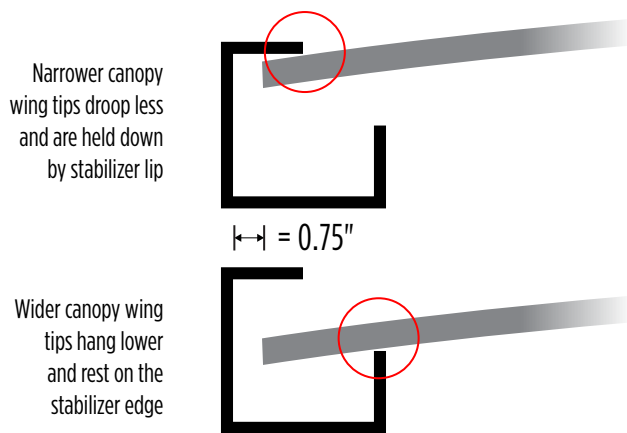


Move the just mounted wing forward with the motor depending on the drive type. Repeat the leapfrog process, cross pinning each wing and then advancing the cross pinned wing toward the extended end to clear it for the next wing to mount to the next carrier bracket.

## INSTALLATION: STABILIZERS



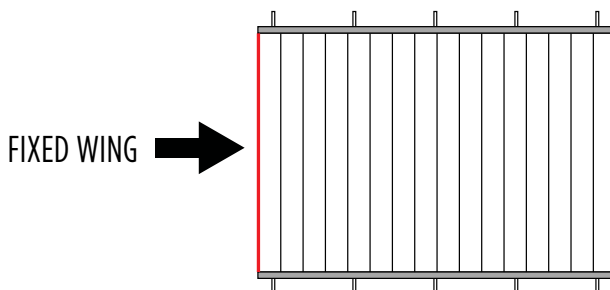
Drill holes in the stabilizers to anchor them to either of the rafters they are parallel to or locate them so they mount to rafters that are perpendicular to the stabilizers. Make sure the top hole is large enough for both the screw head and the drill bit to pass through so that the screw will drill securely into the frame and not through the bottom face.



Place the stabilizers in line with either end of the canopy and ensure all wing tips are captive inside the channel. Shim the stabilizer to the same angle as the drive beam for rain to shed. In a wide canopy, you may have to lift the wing tips into the stabilizers, and on a narrow canopy you may have to lift the stabilizers to catch the wings. In either case, lift or push down on the stabilizers to fasten them in place, making sure the wing tips clear the inside vertical face by 0.75".



After the wing tips are all captive inside the stabilizer channel, it is time to fit the mylar trim onto the edge of the stabilizer. Place the trim on the edge of the stabilizer that your wings make contact with. (see diagram above for reference)



Install the last wing (rear most wing is stationary and called the "fixed" wing) either from the outside if it is freestanding or from underneath if it retracts to a wall.



## POST INSTALLATION

---

### REVIEW THE DETAILS TO ENSURE OPERATION IS SMOOTH AND THAT THE DRAINAGE IS OFFSET

1

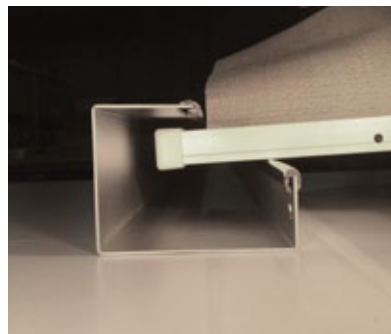
With the canopy fully extended, shower it with a hose to ensure rain runs down the peaks into rivulets and into the valleys of the zig-zag canopy profile. There may be minor residual collections of water rivulets in the valleys but no standing pools of water. Ensure the runoff at the edge of the canopy fabric is draining into the stabilizer/gutter. If not, the stabilizer overlap will need to be increased by moving it inward relative to the canopy system.

2

With the canopy fully extended, inspect the underside and ensure all the wings are properly secured to the carrier bearing brackets. While under the canopy, retract it and observe or feel (if manual rope type) if there are any moments when the canopy catches or twists due to leftover construction materials or seams/splices that are in need of alignment. Ensure the fabric is not running along the edge of the stabilizer with contact. Make corrections as required.

3

With the canopy fully retracted, ensure nested folds are taut and consistently overlapped. Inspect the edge of the fabric at the stabilizers to make sure there is no contact that would catch at stabilizer seams. Make sure all wing tips are inside the stabilizers and clearing the inside face of both stabilizers during extension and retraction. Make corrections as necessary.



CORRECT



INCORRECT

CONGRATULATIONS ON INSTALLING YOUR SHADEFX TOPSIDE RETRACTABLE CANOPY SYSTEM!

## MAINTENANCE



ShadeFX is designed to be a maintenance free system. There is no need to lubricate, clean or adjust anything in the mechanism or motor system.

Fabric maintenance is limited to reasonable cleaning of the fabric when it becomes soiled or stained. The fabrics are made for heavy duty outdoor use. In all

cases a powerful hose-off (not pressure wash) with a mild brush scrubbing (no soap) is all that is needed to remove more stubborn stains/dirt.

Tree gum, sap and grease are best removed with acetone or turpentine.

## PRODUCT WARRANTY

To ensure total customer satisfaction, we offer a **12-year limited warranty** on all our innovative shade products.



### MECHANISM

ShadeFX mechanism systems and components are warranted to be free of defects in materials and workmanship for twelve years from the date of shipment. For the first 5 years, parts, labor, and shipping (if applicable) are covered. During this period it is the responsibility of the purchaser to notify ShadeFX Canopies Inc. or its reseller, of any defect or deficiency. Thereafter, ShadeFX will, at its option and expense, either repair the canopy or provide a replacement.

After the first five years, the warranty is limited to replacement of parts associated with the mechanical components of the system and is prorated for the remaining seven years of warranty. Not including shipping and labor costs associated with warranty support.

### FABRIC AND SEAMS

The ShadeFX fabric warranty covers the canopy fabric for up to ten years. ShadeFX will supply a new canopy free of charge to replace any fabric that becomes unserviceable during the warranty period.

For Sunbrella®, Sunbrella Plus® and Sunbrella Firesist® this limited warranty coverage runs for 10 years from the date of original shipment.

For all other fabrics, ShadeFX will replace it at no charge up to seven years. If the fabric or seams become unserviceable due to loss of color or strength from normal usage and exposure conditions, including sunlight, mildew damage to fabric and atmospheric chemicals

Customers are responsible for shipping charges regarding canopies replaced after the initial five years of warranty coverage. Consumer is also responsible for normal care and cleaning of the fabric. Presence of mildew is not a warrantable claim. This warranty covers both the fabric and seams.

### MOTORS

All motors used by ShadeFX have a five-year unconditional warranty. Specifically, ShadeFX warrants its motors and controls to be free from defects in material and workmanship under normal and proper use for a period of 5 years commencing with the date stamped on each product. If the product fails within this five-year period, we will repair or replace it free of charge.

The foregoing does not cover and ShadeFX Canopies Inc. (SFX) makes no warranty with respect to:

- Failures or deficiencies not reported to SFX within (30) days of delivery.
- Failures or damage due to negligence, accident, abuse, improper installation, improper operation or abnormal conditions including abrasion with adjacent objects, or discoloration, or staining, or physical damage from extended exposure to heavy wind that would cause violent flapping of fabric, or physical damage from natural flora or fauna.
- Shade canopies that have been in any way tampered with, repaired or altered by anyone other than an authorized representative of SFX.

- Expenses incurred by the Purchaser in an attempt to correct or repair any alleged defect.
- Any losses, costs, expenses, liabilities and damages (including but without limitation to loss of use or profits, damage to persons or property, all liabilities of the purchaser to its customers or third persons, and all other special or consequential damages), whether direct or indirect, and whether or not resulting from or contributed to by the default or negligence of ShadeFX Canopies Inc., its agents, employees or subcontractors, which might be claimed as the result of the use or failure of the product shipped.

Purchaser shall not return defective or deficient canopies or parts thereof without the approval of SFX. All parts claimed defective or deficient must be substantially manifested by the purchaser to the satisfaction of SFX prior to any product being returned to the factory. The SFX factory will not accept collect shipments without prior written approval and authorizing claim code. SFX makes no further warranty, either express or implied or by trade usage in connection with the design, sale or use of its products. The liability of ShadeFX Canopies Inc. on its warranty shall in no event exceed the cost of correcting the defects in the product sold or replacing the same with non-defective product.

This warranty stated herein is in lieu of all other warranties expressed or implied, or merchant ability, or fitness for particular use and under no circumstances will ShadeFX be liable for incidental or consequential damages.

**PRODUCT WARRANTY AND CONTACT INFO:  
CALL TOLL FREE: 855-509-5509 FOR IMMEDIATE SUPPORT**

## 2014 TOPSIDE CANOPY PRICE LIST

Drive beam length in ft. (within 1/8" up to and not exceeding)											
Wing Width (within 1/8" up to and not exceeding)	Rope Continuous Loop Draw Cord Operation										
		8	10	12	14	16					
	8	2722	3339	3892	4418	4909					
	10	3339	4074	4734	5523						
	12	3892	4734	5681							
	14	4418	5523								
	16	4909									
	18										
	20										
	Remote Control Motor Operation										
		8	10	12	14	16	18	20	22	24	> 24'
	8	4911	5201	5673	6341	6854	7501	8063	9904	10544	call
	10	5201	6007	6674	7507	8150	8960	9660	11662	12461	call
	12	5673	6674	7674	8675	9445	10417	11258	13419	14379	call
	14	6341	7507	8675	9843	10740	11874	12856	15177	16295	call
	16	6854	8150	9445	10740	12036	13331	14455	16935	18213	call
	18	7933	9500	11065	12630	14195	15762	17133	19880	21426	call
	20	8543	10260	11978	13696	15415	17133	18850	21190	22556	call
	22	9153	11021	12892	14763	16634	18504	20567	22500	23686	call
	24	9764	11782	13806	15829	17853	19875	22284	23810	25237	call
26	10374	12542	14719	16896	19072	21245	24001	25120	26789	call	
28	10984	13303	15633	17962	20291	22616	25064	26430	28340	call	
30	11594	14064	16546	19028	21511	23987	26220	27740	29891	call	

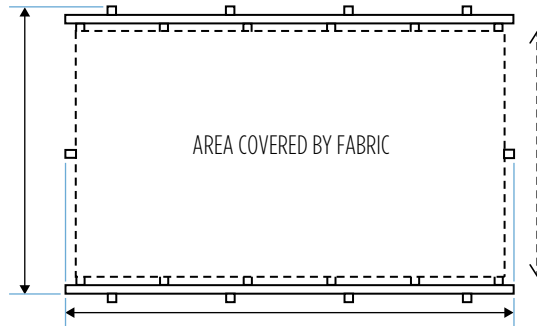
**Specify length and width to any dimension within 1/8" of desired dimension.** Prices not shown indicate product is not available in that size range. ShadeFX reserves the right to change prices with 30 days notice at its sole discretion.

### Net extra cost for the following upgrades or custom features:

Rain Collecting stabilizers with adjustable mounting brackets	add \$50 per ft of track length
Sunbrella Standard Fabric available in 60" width	n/c (no charge)
Sunbrella Premium	add \$1.90 per sq-ft
ShadeFX Weatherproof Fabric	n/c
Weatherproof and Fire Resistant Fabric	3.75 per sq-ft
Extended valances	add 25.00 + 5.00/sq-ft
Mechanism finish (track, wings, motor cover etc)	
Anodized aluminum (satin finish)	n/c
Powdercoat White	add 350
10' or 22' extended power cord	100.00
Oversize packaging (shipments over 12' long)	add 70.00

## TOPSIDE CANOPY ORDER FORM

How to measure WIDTH:  
Width dimension when ordering =  
maximum width less 1"



Actual fabric will be 3-1/2" less on each  
end to accommodate the angle brackets,  
mounts, and wing tip clearances

How to measure LENGTH:  
Length dimension when ordering = the track dimension tip to tip  
excluding the 10" cable drive extension if applicable.  
Actual canopy length, first wing to last wing is length less 4"

Bill To:

Ship To:

---



---



---



---

Length of drive beam (overall length tip to tip)

Width of canopy wings (overall length tip to tip)

Width of fabric on wings

Drive Type                      Rope Pulley:  Left    Right    Down                       Motor

Drive Beam                                       Parallel to Rafter                       Perpendicular to Rafter

Drive Beam & Wing Finish                       Aluminum                       White                       Custom Color

Fabric Selection Name and #

Rear Valance - Extension to Wall or Structure    Yes    No

Cable Drive (for Drive Beams over 24ft)                       Yes    No

Net Purchase Price (excluding taxes and freight)

Total Amount

Authorized By/PO #:

Date: