



ShadeFX™
RETRACTABLE CANOPIES
THE AWNING OF A NEW AGE.

Photos courtesy of Gerrit Capenby, Oakville, Ontario.



SHADEFX.COM

THE NEW AGE OF COMFORT.
THE NEW AGE OF LUXURY.
THE NEW AGE OF STYLE.
OUTDOORS.

Cover your deck or patio with retractable shade that attaches to your new or existing pergola, patio cover, trellis or arbor.

**MAKE YOUR MOVE TO
OUTDOOR LIVING SEAMLESS.**

ShadeFX affords the comfort of fine cushioned furniture, overflowing dining tables, and memorable family events free of concern for the elements: rain or shine.

**ENTERTAIN OUTDOORS
ON A GRAND SCALE.**

The luxury of covering areas up to 600 sq-ft under one retractable canopy happens at the push of a button. Only ShadeFX is designed to protect large areas from both sun and rain, while allowing the option of open sky for enjoying perfect days to the fullest.

STYLE COMES WITH SUBSTANCE.

You can take your love for outdoor living to any location. Only ShadeFX has the design strength to withstand the rigors of terrace locations in the sky, and the wind forces common among tall downtown buildings and seaside locales.

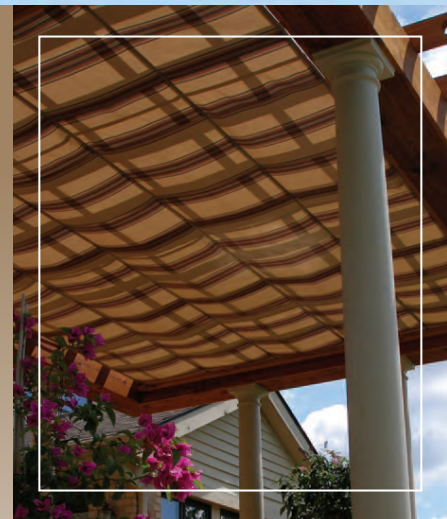
RETRACTING ▼

EXTENDED ▼

**THE BENEFITS OF OUR PATENT-
PENDING MONORAIL DRIVE BEAM**

Only ShadeFX uses one drive beam located in the middle of the canopy to operate the mechanism. Since there is only one track, there is no need to align 'tracks', allowing ShadeFX to mount to frames of all types including wood, without concern for jamming or binding as the frame may shift over time. Only ShadeFX supports the canopy with the drive beam in the middle so rain can shed to the sides. Although rain may pool, it will not accumulate excessively. This makes ShadeFX the only retractable canopy system designed to be left out in the wind and the rain that mounts to a frame of your design.

Photos courtesy of Creative Outdoor Wood Products



HOW SHADEFX DOES WHAT ROLL RETRACTABLES CAN'T

Roll up awnings rely on fabric tension for support between their front and back. They are not supported in between and for this reason, they are not recommended to be left extended in the wind or the rain. ShadeFX has canopy 'wings' that spread out from the drive beam support points. Therefore ShadeFX is a fully framed canopy system when extended, with the strength to withstand most winds and even heavy rain. Visit the ShadeFX videos on YouTube™.



Photo courtesy of Gerrick Carpentry, Oakville Ontario.



Photo courtesy of Walpole Woodworkers Inc.



Relax with the confidence of the best warranty in the business. ShadeFX is made using food machinery components that are designed for much higher stresses and duties than the canopy system demands of them. That is how we can offer a 12 year limited warranty on the mechanical components. All our fabrics are of the finest outdoor materials money can buy with 5 to 10 year no-fade warranties. The slim-line Somfy™ brand motor has a 5 year unconditional warranty. See shadefx.com for full warranty details.

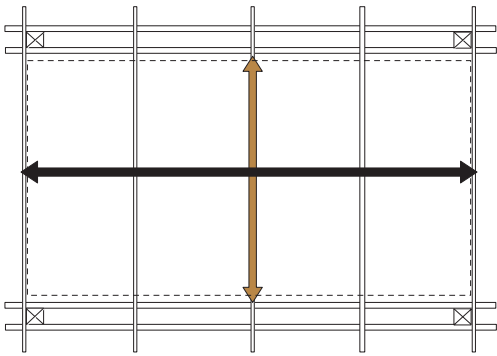
CARE AND MAINTENANCE

Quality materials selected for outdoor duty enable ShadeFX to be generally maintenance free. The yarn dyed and coated fabrics easily hose off with water and the mechanical components are stainless steel or anodized aluminum for total corrosion resistance. It is wise to hose off the canopy system (photos below) when it is visibly dirty, and storage for winters in the north are best managed by simply retracting the canopy. For protection from tree debris a canopy cover (photo at right) is easily fashioned as part of the frame.



FITTING TO A PERGOLA FRAME: Two Options

1 Drive beam (black arrow) is perpendicular below rafters

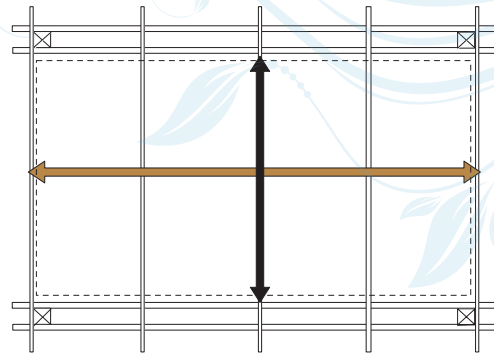


LENGTH of drive beam is between outside faces of outside rafters

WIDTH of canopy wings is inside face of beam to inside face of opposite beam, reduced by 1-1/2" for clearance.

Actual canopy fabric perimeter is:
Length less 4", Width less 3-1/2"

2 Drive beam (black arrow) is parallel below rafters

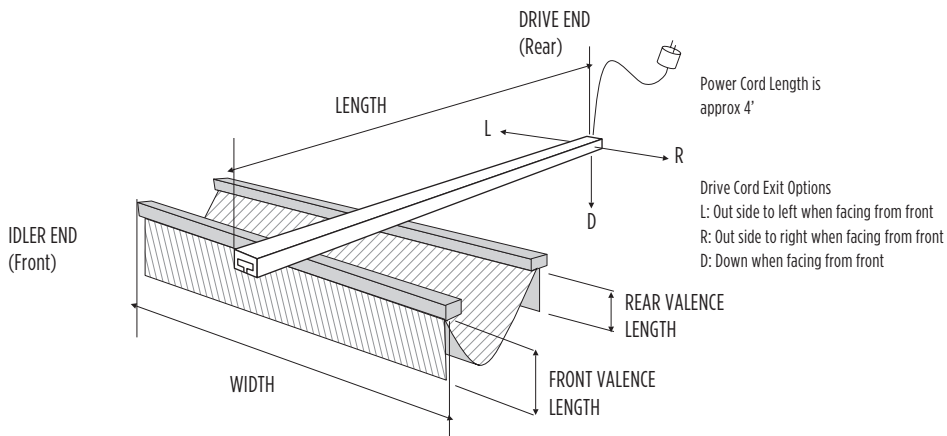


LENGTH of drive beam is inside face of beam to inside face of opposite beam LESS 1/4" for clearance

WIDTH of canopy wings is outside face of first rafter to outside face of last rafter. No clearance adjustment is required.

Actual canopy fabric perimeter is:
Length less 4", Width less 2"

PRODUCT DIMENSIONS



Note: All dimensions are actual desired tip to tip of the beam or wings

DRIVE OPTIONS

MANUAL - Extend and retract the canopy by pulling on a removable handle. Lock in place with a quick turn of handle.

ROPE - Extend and retract by drawing a rope/pulley system similar to a curtain draw cord system. A camlock retainer holds the rope to firmly secure the canopy at either end. All hardware is marine/stainless steel.

MOTOR - Extend and retract the canopy at the push of a button. ShadeFX motor drive systems use food machinery components for the drive belt, bearings, pulleys and transmission for ultra durable and weather resistant operation.

STABILIZERS

The stabilizers limit the motion of the canopy wings by containing them at the ends so they cannot tilt and tip in the wind. The top edge of the canopy wing should ride on the bottom edge of the stabilizers that are typically offset relative to the bottom of the rafters according to the chart at right:



The ideal stabilizer is a 2x2 or 2x4. There should be some stress on the wing from the stabilizer to ensure all movement in the wind is contained. Locate the stabilizers where they just touch the top of the wing, then bring them down approximately 1/4" to preload them.

WING WIDTH	10'	12'	14'	16'
OFFSET*	3-1/2"	3-3/4"	4"	4-1/4"

* Typical offset. It is best to tack stabilizers in place and set wing preload with the wings in place.

ShadeFX is available through architects, designers, and quality contractors worldwide. Specify ShadeFX to your landscape construction professional and we'll make the purchase and installation process a seamless pleasure.

HERE'S WHAT PEOPLE ARE SAYING:

"ShadeFX provided a canopy solution for a rooftop pergola that I could find from no other company. It is an aesthetic installation, with wind resistance suitable to a 5th floor urban terrace, and the look and feel of a well designed and engineered product that has met the expectations of a discerning clientele."

- Todd Smith Garden Design

"Our ShadeFX canopy has turned our outdoor living and entertaining into a pleasure. Before, it was too hot to sit and enjoy the deck on sunny days. Now with ShadeFX we use the deck like another room of the house. The temperature reduction from the canopy is amazing."

- Keith Powell

"As a designer, I was challenged with the need to provide retractable shade on an existing pergola. After researching the options thoroughly, ShadeFX was the product that fit best. It was delivered on time and installed with no trouble. I wouldn't hesitate to recommend ShadeFX for any application requiring retractability, a large continuous canopy, and rain and wind resistance."

- Dolce Vita

"Our customers have always loved our pergola kits and now with the added option of ShadeFX canopies homeowners can enjoy shelter from the rain, uv-rays and even add privacy. With the ShadeFX canopy system, both our new and existing pergolas become fully-functional outdoor living spaces."

-Lou Maglio, President, Walpole Woodworkers Inc.



8695 Escarpment Way
Unit 9
Milton, ON
L9T 0J5
Toll-free: 1.855.509.5509
www.shadefx.com

PRICE LIST

MANUFACTURER'S SUGGESTED PRICE LIST

Valid January 1, 2014

Specify length and width to any dimension within 1/8" of desired dimension

- All prices include Sunbrella fabrics, available in 60" width or Harbor Time waterproof fabrics at prices listed below
- Prices not shown indicate product is not available in that size range

Net extra cost for the following upgrades or custom features:

- Sunbrella Premium Fabrics (not available in a code starting with 6) add \$1.90 per sq-ft
- Oversize packaging (wood skid and shipments over 12' long) add 70.00
- Offset fabric or holes in wings or extended power cord add 70.00
- Double manual actuation or retract to front feature add 50.00
- Arched wings add 125.00 per wing
- Arched valances or extended valances add 25.00 + 5.00/sq-ft
- Topside mounting option add 14.70 per sq-ft
- Anodized aluminum stabilizers add 16.00/ft of drive beam length

Drive beam length in ft. (within 1/8" up to and not exceeding)												
Manual Handle With Hook Operation												
	8	10	12	14	16	18	20	22	24	26	28	>
8	1444	1717	1927	2252	2603	2928	3186	3534	3855	3943	4825	call
10	1717	2145	2408	2814	3253	3661	4015	4417	4818	5470	5871	call
12	1927	2408	2838	3377	3905	4337	4818	5300	6032	6513	7245	call
14	2208	2759	3311	3862	4497	5060	5621	6433	6995	7806	8368	call
16	2603	3253	3905	4497	5140	5782	6673	7315	8207	8848	9740	call
18	3197	3998	4744	5535	6324	7364	8154	9193	9983	11022	11812	call
20	3489	4392	5271	6149	7278	8156	9285	10163	11291	12170	13298	call
22	3825	4842	5864	6841	8319	9047	10525	11254	12732	13460	14939	call
24	4209	5351	6528	7616	9456	10046	11886	12477	14317	14907	16747	call
Rope Continuous Loop Draw Cord Operation												
	8	10	12	14	16	18	20	22	24	26	28	
8	1782	2163	2481	2772	3027	3406	3872	4269	4657	call		
10	2163	2604	2970	3465	3784	4257	4851	5336	call			
12	2481	2970	3564	4159	4540	5239	5821	call				
14	2772	3465	4159	4851	4939	6112	call					
16	3027	3784	4540	5433	6209	call						
18	3727	4455	5239	6112	call							
20	4075	4851	5821	call								
Remote Control Motor Operation												
	8	10	12	14	16	18	20	22	24	> 24'	> 30'	
8	3970	4025	4262	4694	4972	5384	5711	7317	7721	40	per sq-ft	call
10	4025	4537	4910	5449	5798	6314	6720	8428	8933	37	per sq ft	call
12	4262	4910	5557	6206	6622	7242	7730	9538	10145	35	per sq ft	call
14	4694	5449	6206	6962	7447	8170	8740	10649	11356	34	per sq ft	call
16	4972	5798	6622	7447	8273	9098	9751	11761	12569	33	per sq ft	call
18	5816	6854	7890	8926	9962	10999	11841	14059	15076	35	per sq ft	call
20	6191	7320	8450	9580	10711	11841	12970	14722	15500	32	per sq ft	call
22	6566	7787	9011	10235	11459	12682	14099	15385	15924	30	per sq ft	call
24	6941	8254	9572	10890	12208	13524	15228	16048	16770	29	per sq ft	call
26	7316	8720	10133	11545	12957	14366	16357	16711	17616	28	per sq ft	call
28	7691	9187	10693	12200	13706	15208	16832	17375	18462	27	per sq ft	call
30	8066	9654	11254	12854	14455	16049	17400	18038	19307	27	per sq ft	call

NOTE: Designates 'Kissing Canopy' arrangement. Two or more canopies on one track.

*ShadeFX™ reserves the right to change prices with 30 days notice at its sole discretion

CONTACT INFO

8695 Escarpment Way, Unit 9
Milton, ON
L9T 0J5

Toll-Free: 855.509.5509
Fax: 905.528.4439
Web: www.shadefx.com

